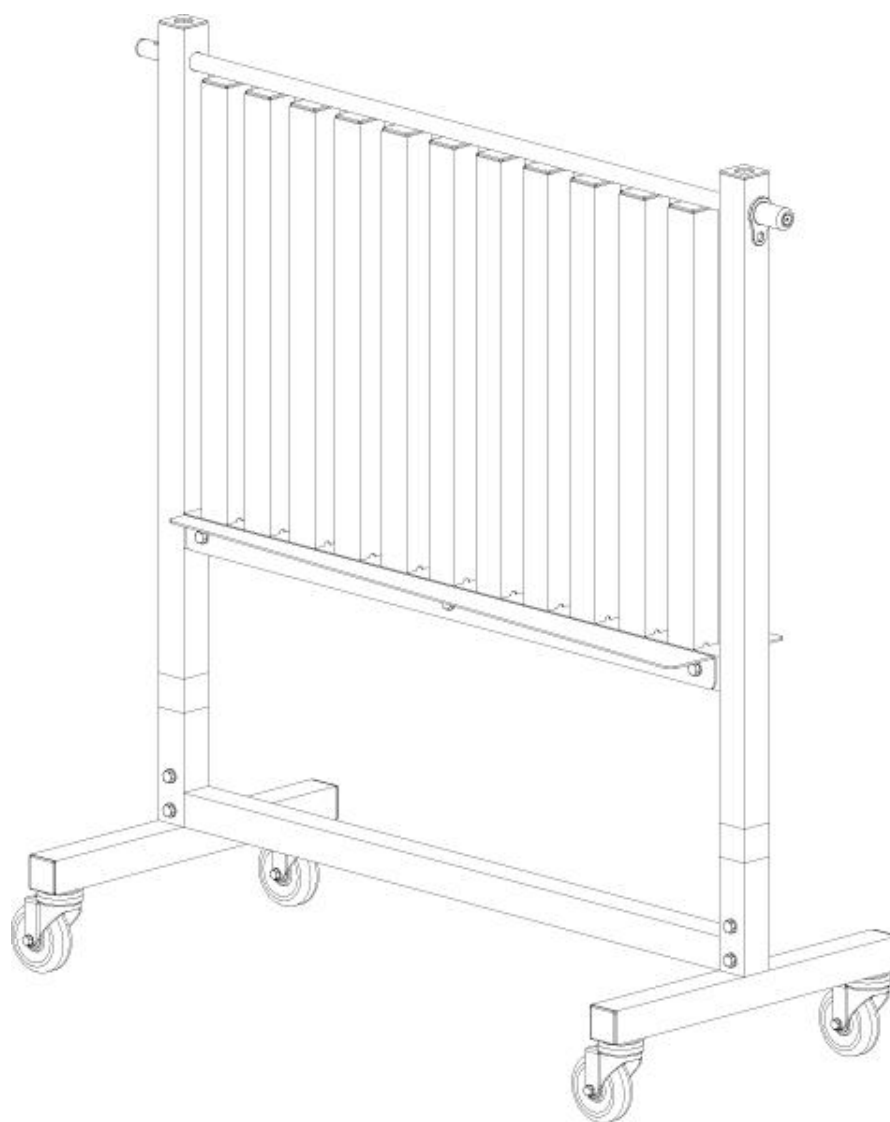




Model # VINYLDB-RA

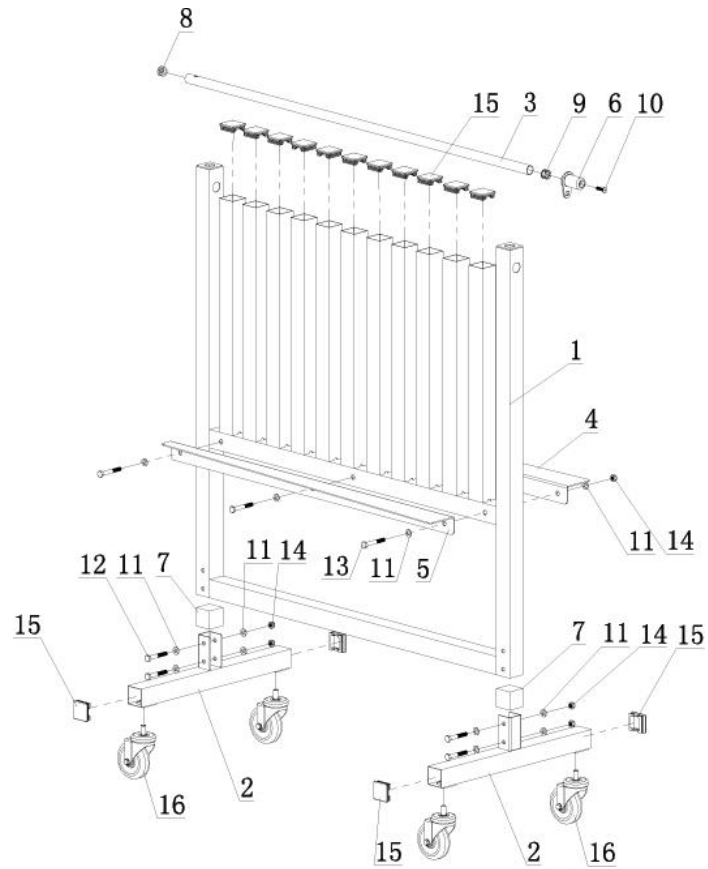
NVR24 Vertical Storage for Vinyl/Neoprene Dumbbell



www.tagfitness.net

630-375-1500

EXPLODED DRAWING



PARTS LIST

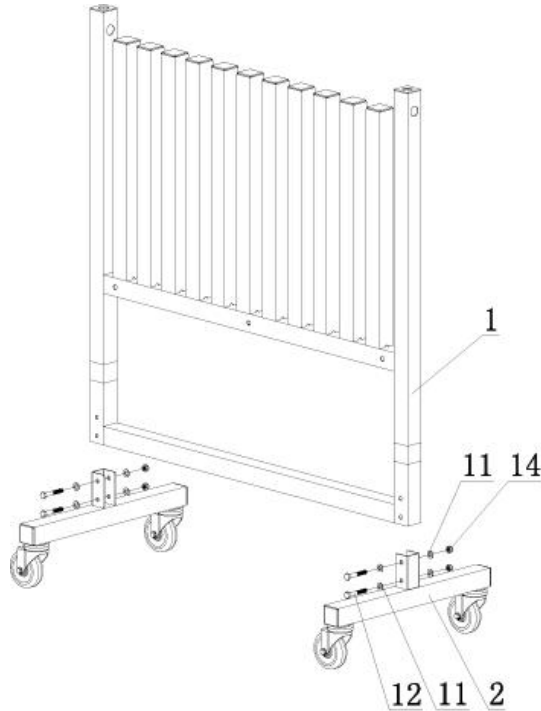
No.	Description	Q'ty
1.	Main Frame	1
2.	Base Frame	2
3.	Cross Bar	1
4.	Left Support Plate	1
5.	Right Support Plate	1
6.	Cap $\theta 25.2 \times 55$	1
7.	Bushing $50 \times 50 \times 50$	2
8.	End Cap $\theta 25 \times 1.5$	1
9.	Inner Nut $\theta 24 \times M8 \times 13$	1
10.	Allen Hex Screw $M8 \times 30$	1
11.	Flat Washer $\theta 11 \times \theta 20 \times 2$	14
12.	Hex Bolt $M10 \times 65$	4
13.	Hex Bolt $M10 \times 70$	3
14.	Nut $M10$	7
15.	End Cap $50 \times 50 \times 1.5$	15
16.	Moving Wheel $\theta 100 \times 152$	4

ASSEMBLY

STEP 1

Install the Main Frame (1) with the 2 pieces Base Frame (2), using 8 pieces Flat Washer $\theta 11 \times \theta 20 \times 2$ (11), 8 pieces Hex Bolt M10*65 (12) and 8 pieces Nut M10(14) as show.

Please tighten the bolts and nuts.



STEP 2

Install Support Plate(4&5) to Main Frame(1) using 6 pieces Flat Washer $\theta 11 \times \theta 20 \times 2$ (11) , 3 pieces Hex Bolt M10*70(13) and 3 pieces Nut M10(14).Please tighten the bolts and nuts.

Put the Cross Bar (3) on the top of the Main Frame (1) as show.

