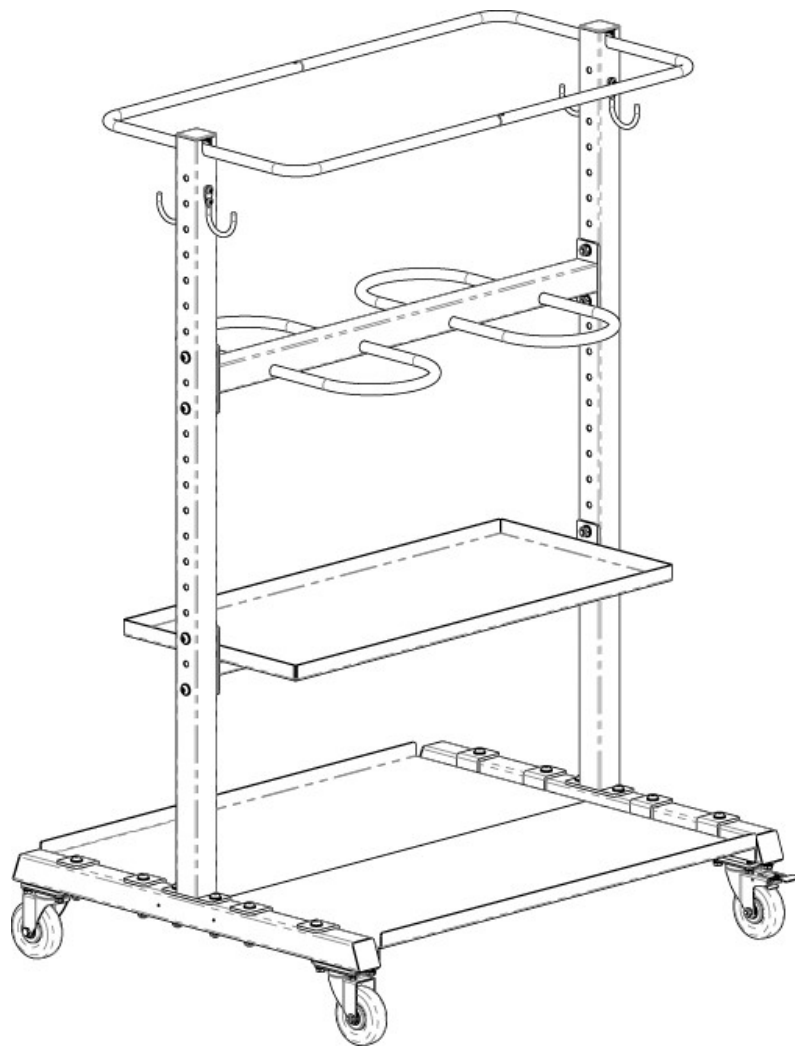


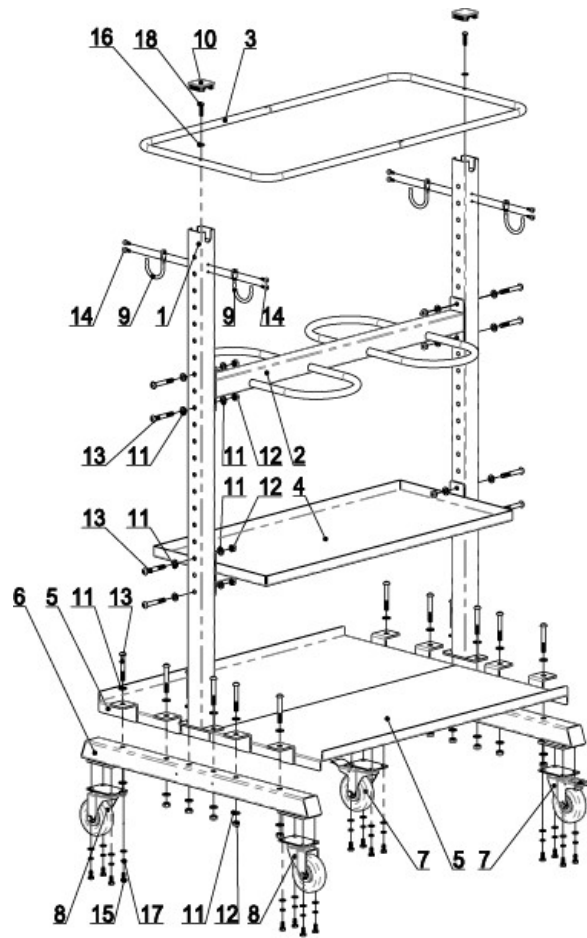


MODEL # RCK-FITCART

TAG Portable Fitness Cart Black



Exploded Drawing



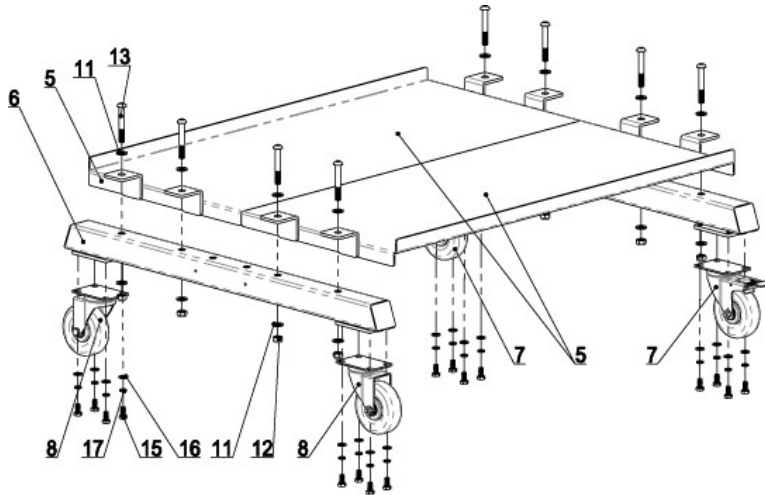
PART LIST

NO	Description	Q'TY	NO	Description	Q'TY
1	Upright Tube	2	10	End Cap 50*2	2
2	Medicine Ball Rack	1	11	Flat Washer $\Phi 11 \times \Phi 20 \times 2$	40
3	Gym Ball Rack	1	12	Nut M10	20
4	Top Tray	1	13	Hex Bolt M10*70	20
5	Lower Tray	2	14	Hex Bolt M6*15	8
6	Base Frame	2	15	Hex Bolt M8*15	16
7	Brake Wheel $\Phi 100 \times 130$	2	16	Flat Washer $\Phi 9 \times \Phi 16 \times 1.6$	18
8	Wheel $\Phi 100 \times 130$	2	17	Spring Washer $\Phi 8$	16
9	Mat Rack	4	18	Hex Bolt M8*30	2

Assembly

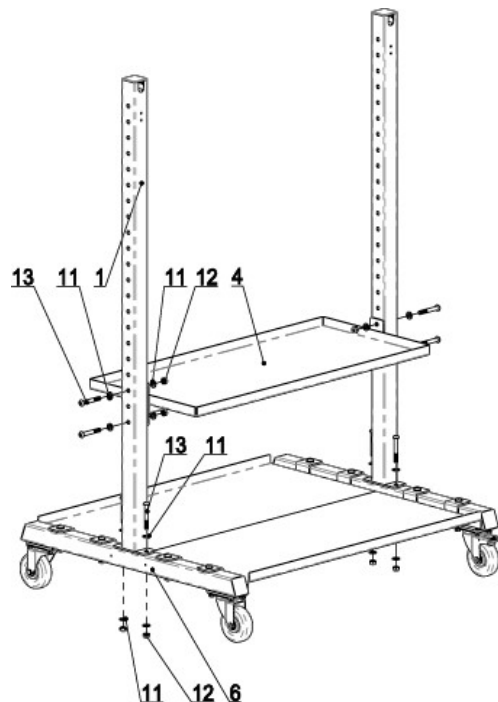
Step 1

Install Wheel (7&8) to Base Frame (6) using Hex Bolt M8*15(15), Flat Washer $\Phi 9*\Phi 16*1.6$ (16) and Spring Washer $\Phi 8$ (17) ; Install Lower Tray (5) to Base Frame (6) using Flat Washer $\Phi 11*\Phi 20*2$ (11) , Nut M10 (12) and Hex Bolt M10*70 (14) .



Step 2

Install upright Tube (1) to Base Frame (6) using Flat Washer $\Phi 11*\Phi 20*2$ (11), Nut M10(12) and Hex Bolt M10*70(13) ; Install Top Tray (4) to Upright Tube (1) using Flat Washer $\Phi 11*\Phi 20*2$ (11), Nut M10(12) and Hex Bolt M10*70(13)



Step 3

Install Medicine Ball Rack (2) to Upright Tube (1) using Flat Washer $\Phi 11 \times \Phi 20 \times 2$ (11), Nut M10 (12) and Hex Bolt M10*70 (13) ; Install Mat Rack (9) to Upright Tube (1) using Hex Bolt M6*15 (14) ; Install Gym Ball Rack (3) to Upright Tube (1) using Flat Washer $\Phi 9 \times \Phi 16 \times 1.6$ (16) and Hex Bolt M8*30 (18) ,then Put End Cap 50*2 (10) to the right position as show.

Please tighten all bolts.

