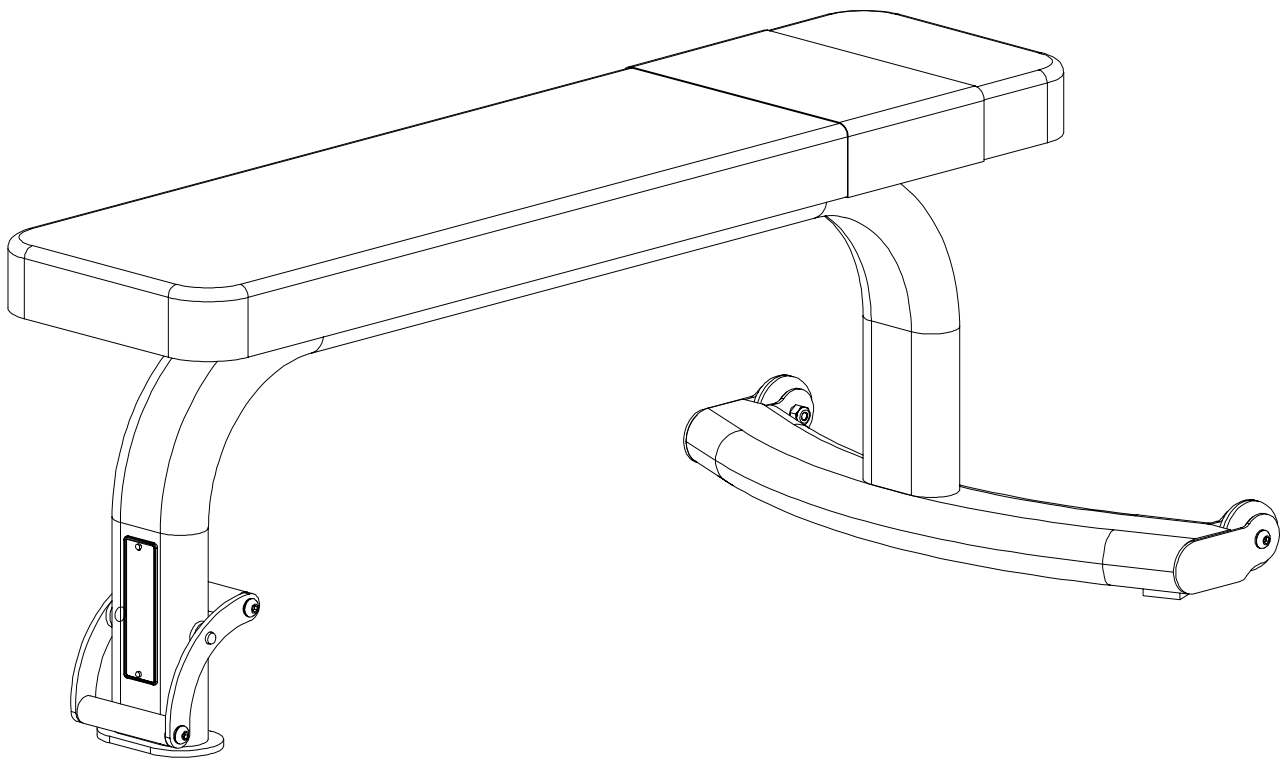
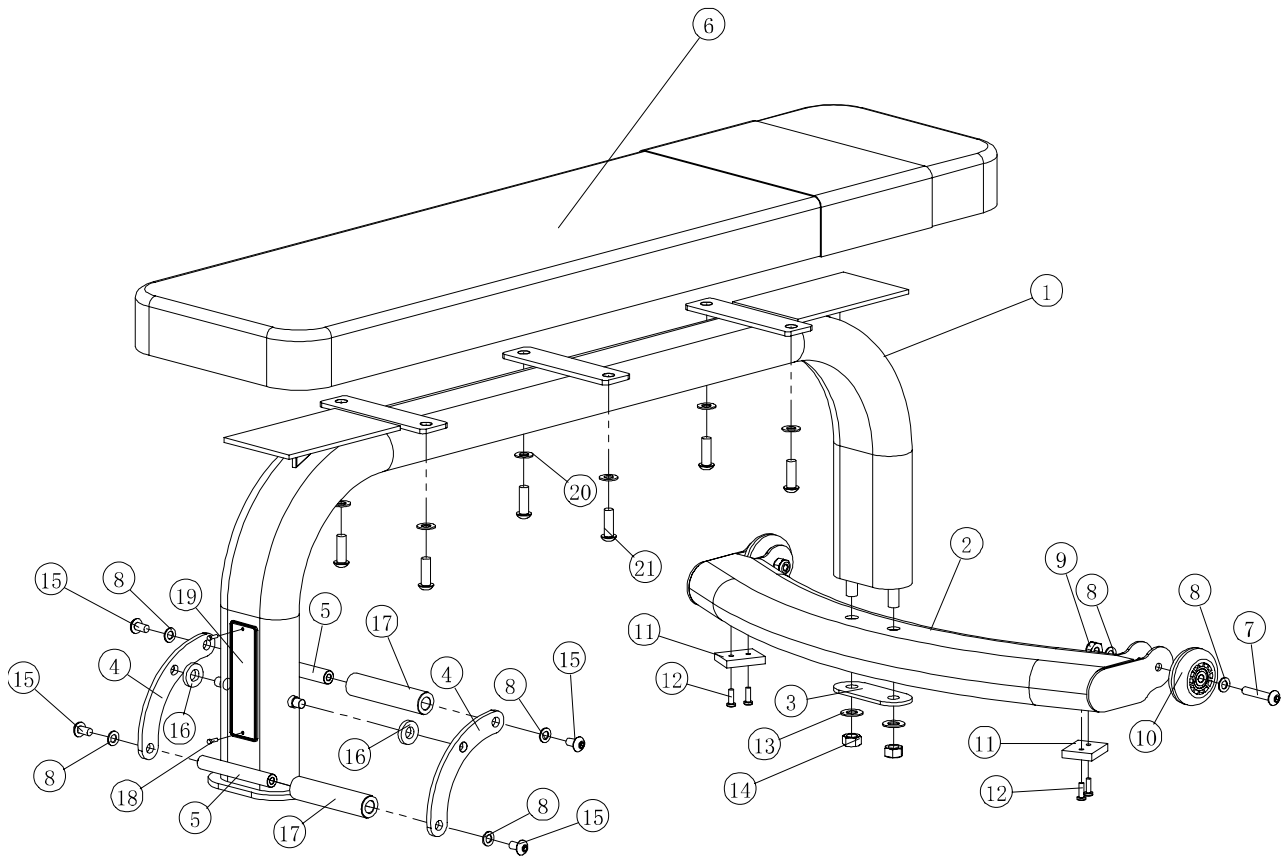




TAG FLAT BENCH WITH WHEELS BNCH-FB



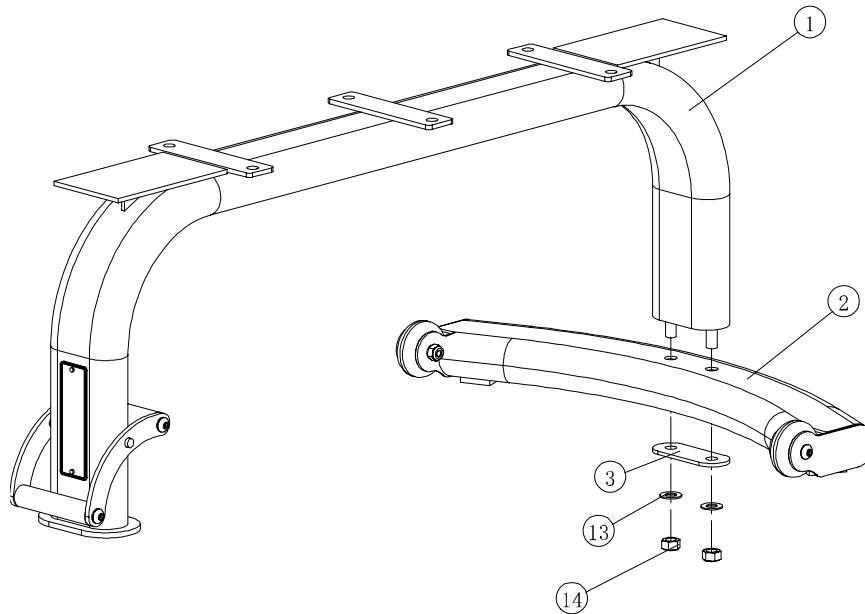
EXPLODED DRAWING & PARTS LIST



No	Description	Q'ty	No.	Description	Q'ty
1	Main frame	1	12	Cross head bolt M5x15	4
2	Stabilizer	1	13	Washer M12	2
3	Plate	1	14	Nylon nut M12	2
4	Handle bar Plates	2	15	Allen head bolt M8x15	4
5	Handle bar pivot shaft	2	16	Rubber washer	2
6	Seat	1	17	Hand grip	2
7	Allen head bolt M8x45	2	18	Rivet	2
8	Washer M8	8	19	Tag	1
9	Nylon nut M8	2	20	Washer M10	6
10	Wheel	2	21	Allen head bolt M10x30	6
11	Rubber Cushion	2	22		

Step 1

Attache the stabilizer(2) to the Main frame (1), using Plate (3), washer (13) and Nylon nut M12(14).



Step 2

Attach the seat (6) to the Main frame (1), using washer M10 (20) and Allen head bolt M10x30(21).

