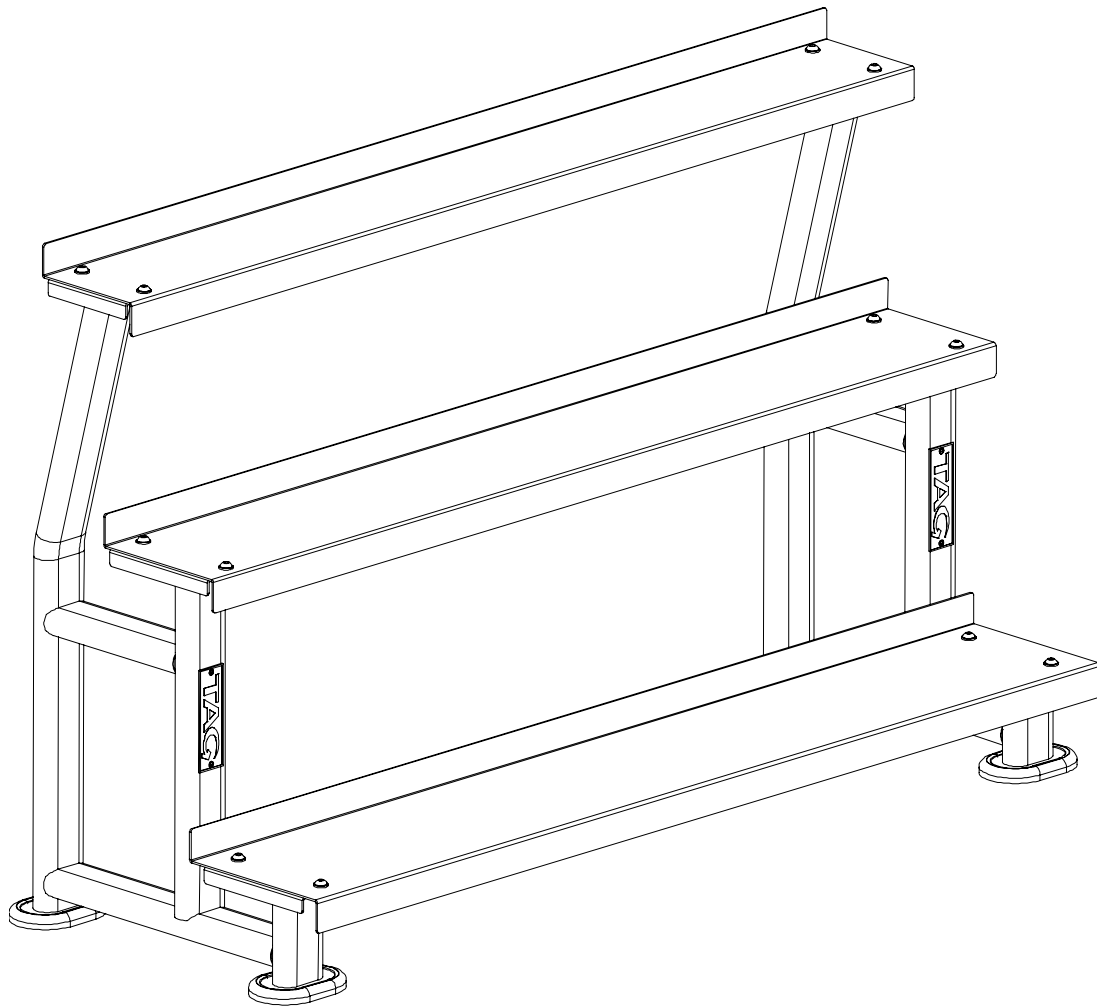
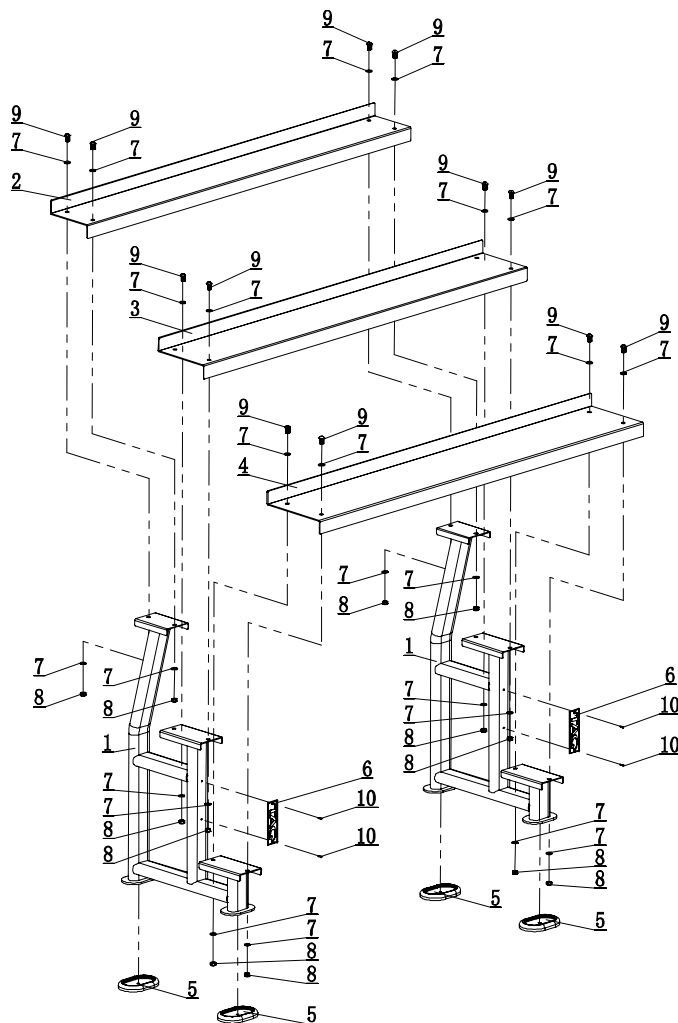




MODEL # RCK-KBR3
TAG 3 TIER KETTLEBELL RACK
ASSEMBLY INSTRUCTIONS



Exploded Drawing & Part List



PARTS LIST

PART NO	PART NAME	QUANTITY
1	Support Frame	2
2	Upper Shelf	1
3	Middle Shelf	1
4	Lower Shelf	1
5	Rubber Foot	4
6	Name Plate	2
7	Flat Washer $\Phi 11 * \Phi 20 * 2$	24
8	Lock Nut M10	12
9	Bolt M10*20	12
10	Rivet	4

Assemble

Step

Assemble Support Frame(1) and Shelf(2&3&4) using Flat Washer $\Phi 11*\Phi 20*2$ (7), Lock Nut M10(8) and Bolt M10*20 (9) .

Please tighten all the bolts and nuts.

