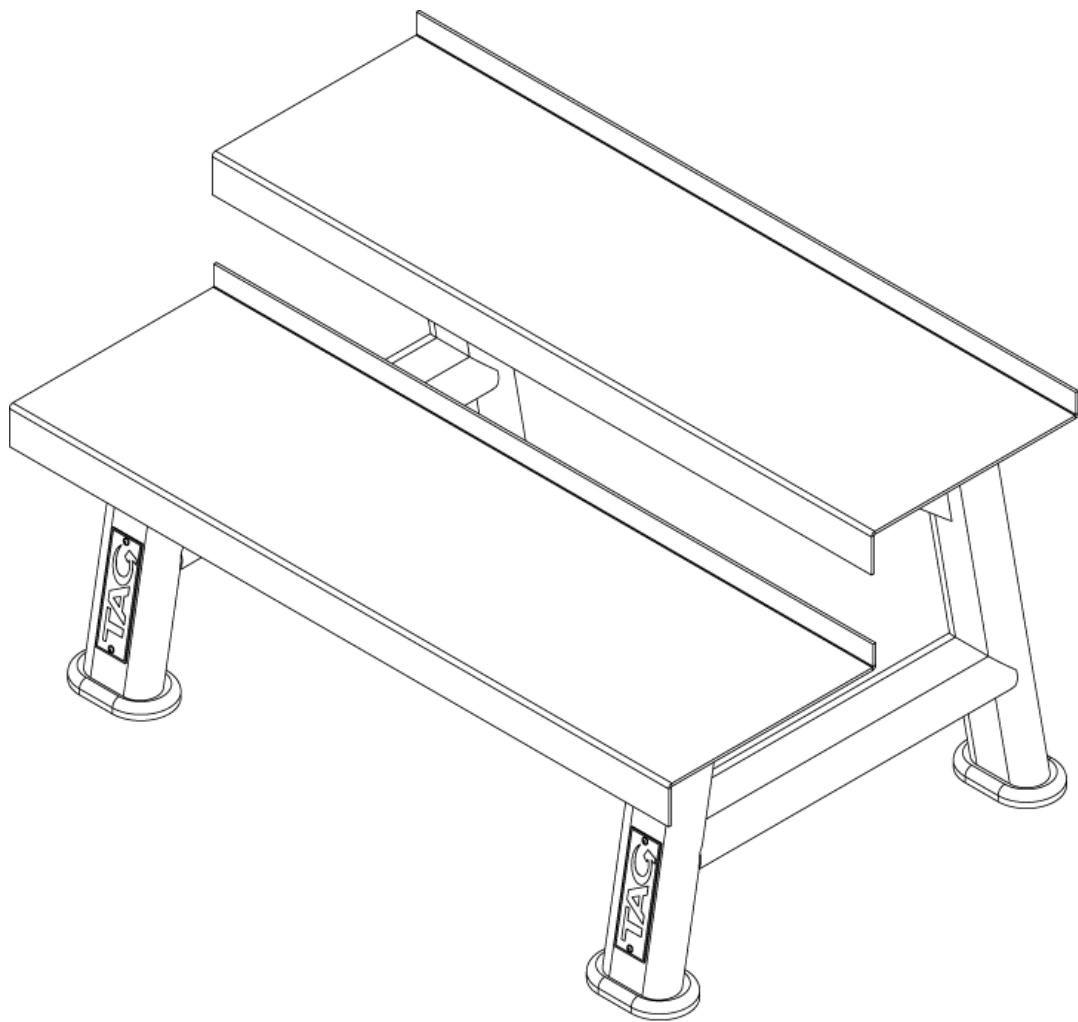
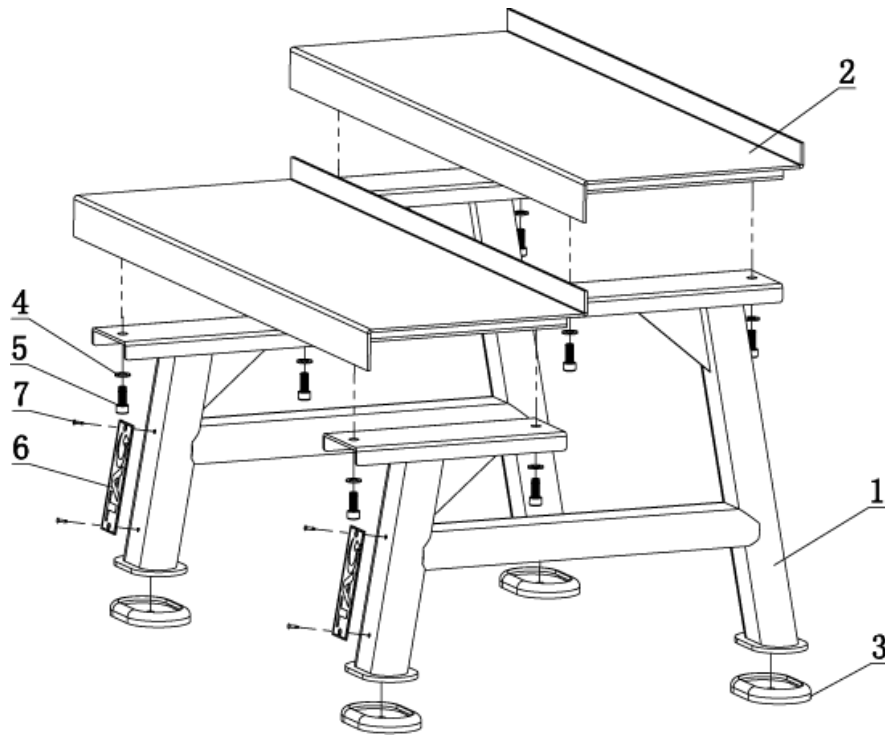




MODEL # RCK-KBR2
TAG 2 Tier KettleBell Rack



Exploded Drawing



<i>PARTS LIST</i>		
NO	Description	Q'TY
1	Main Frame	2
2	Shelf	2
3	Rubber Foot 13*86*	4
4	Flat Washer $\Phi 11 \Phi 20*2$	8
5	Allen Bolt M10*25	8
6	Name Plate 146*45*2	1
7	Rivet $\Phi 4*12$	4

Assembly

Step

Please install the Shelf (2) to Main Frame(1) using Allen Bolt M6*25 (5) and Flat Washer (4) as show.