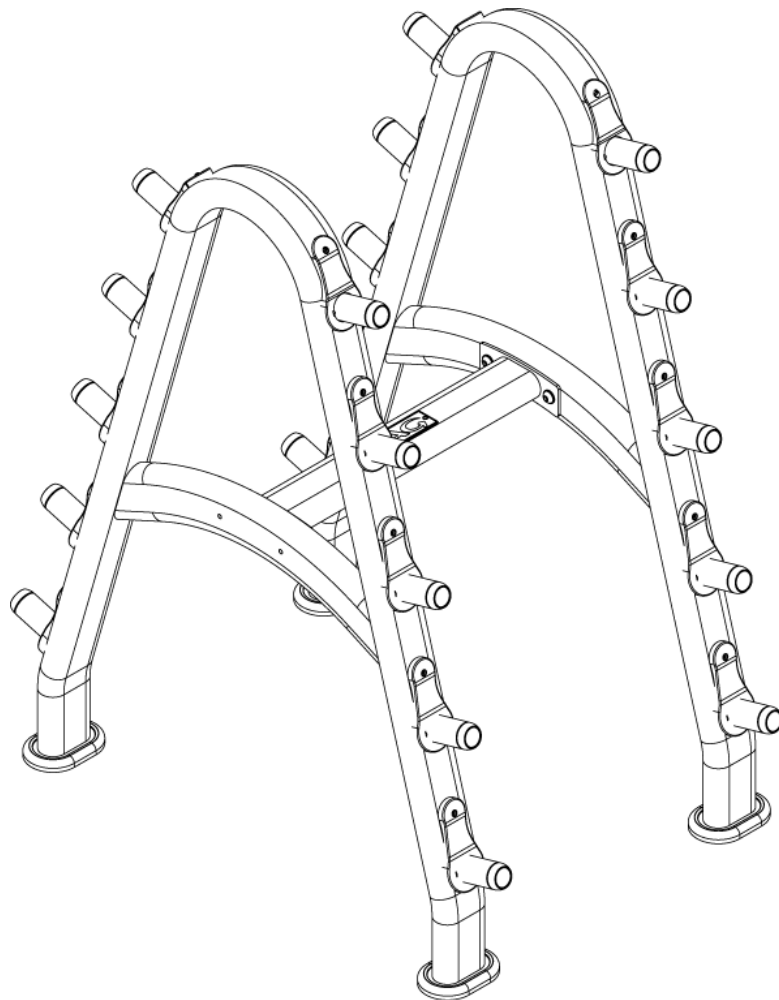


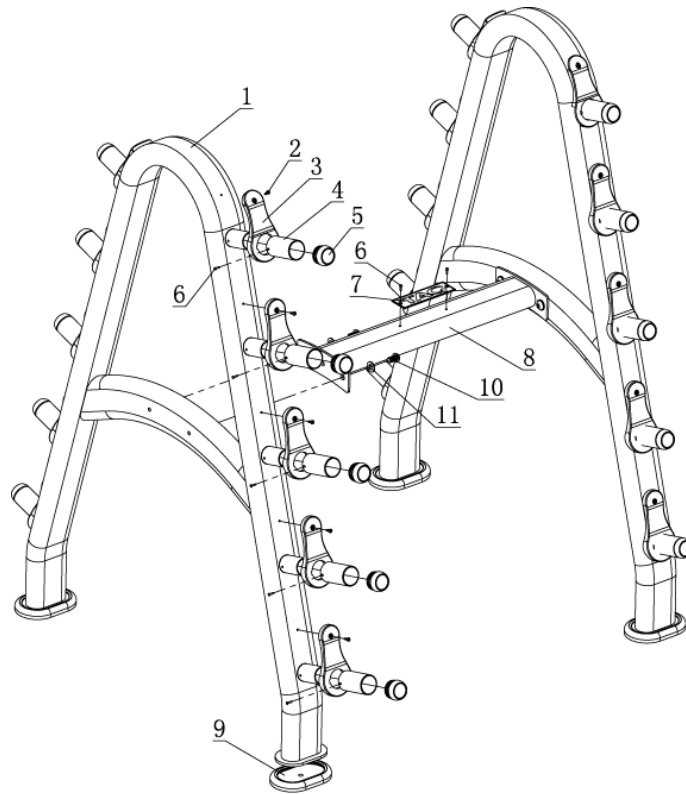


RCK-BBR

TAG Barbell Rack



EXPLODED DRAWING & PARTS LIST



Part No.	Description	Q'ty
1	Main Frame	2
2	Screw ST3.8*15	20
3	Plastic Cushion	20
4	Bar Holder	20
5	End Cap $\Phi 45*2$	20
6	Rivet $\Phi 3.2*10$	20
7	Name Plate	1
8	Cross Frame	1
9	Rubber Foot	4
10	Allen Bolt M12*20	4
11	Flat Washer M12	4

Assembly Step

Assemble Main Frame (1) and Cross Frame(8) using Allen Bolt(10) and Flat Washer (11) .

Please Tighten all bolts.

