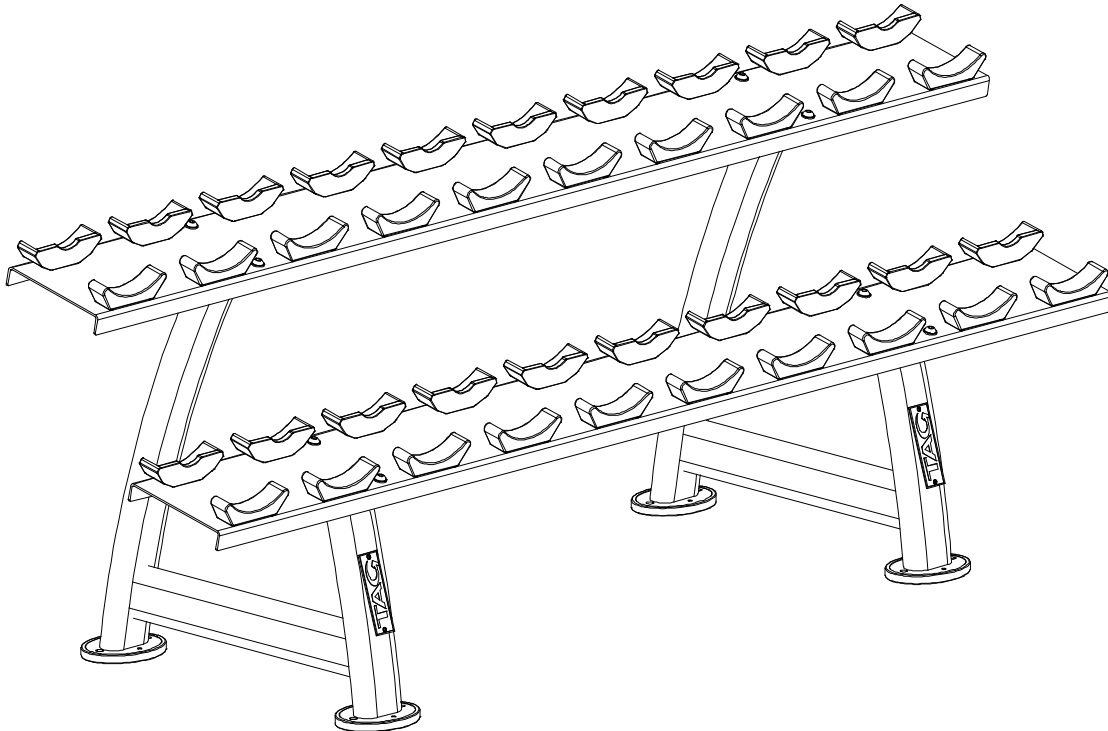




MODEL # RCK-CDR22

ASSEMBLY INSTRUCTIONS

same instructions for CDR22S & CDR22L



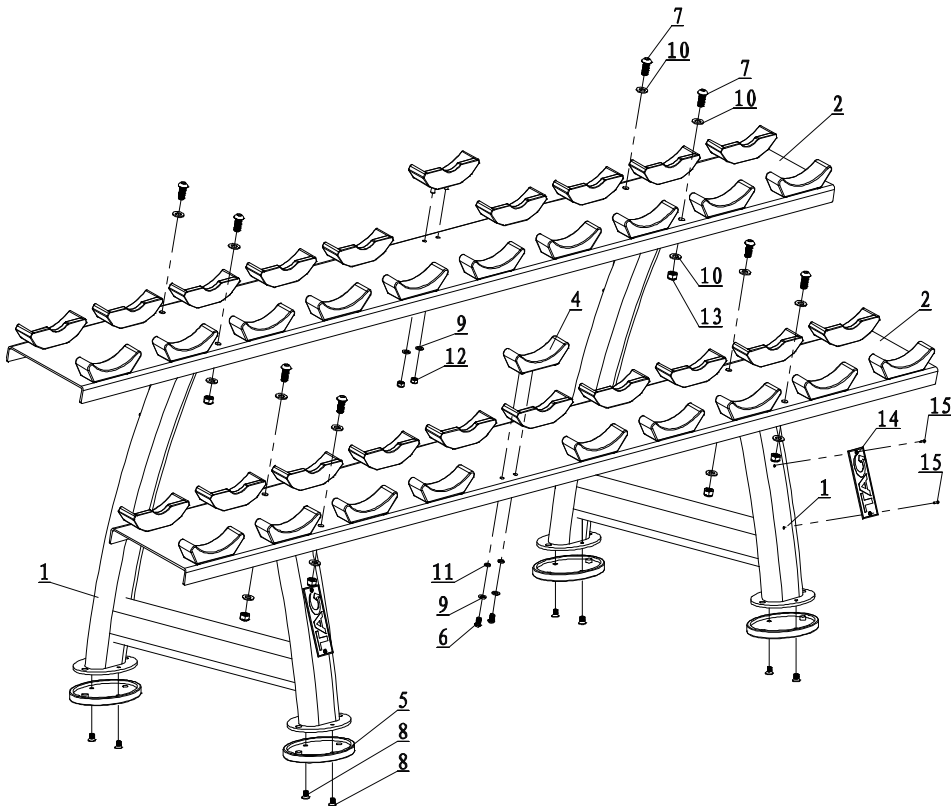
www.tagfitness.net

630-375-1500

PARTS LIST

NO.	Description	Q'ty	NO.	Description	Q'ty
1	Upright Frame	2	9	Flat Washer $\Phi 9 \times \Phi 16 \times 1.6$	80
2	Cross Frame 2234*228*37*4	2	10	Flat Washer $\Phi 13.5 \times \Phi 24 \times 2.5$	16
3	Saddles 166*46.5*67	20	11	Spring Washer $\Phi 8$	40
4	Saddles 158*47.5*40	20	12	Nut M8	40
5	Rubber Foot 169*129*16	4	13	Nut M12	8
6	Hex Bolt M8*15	40	14	Name Plate	2
7	Hex Bolt M12*30	8	15	Rivet $\Phi 4 \times 12$	4
8	Hex Bolt M8*15	8			

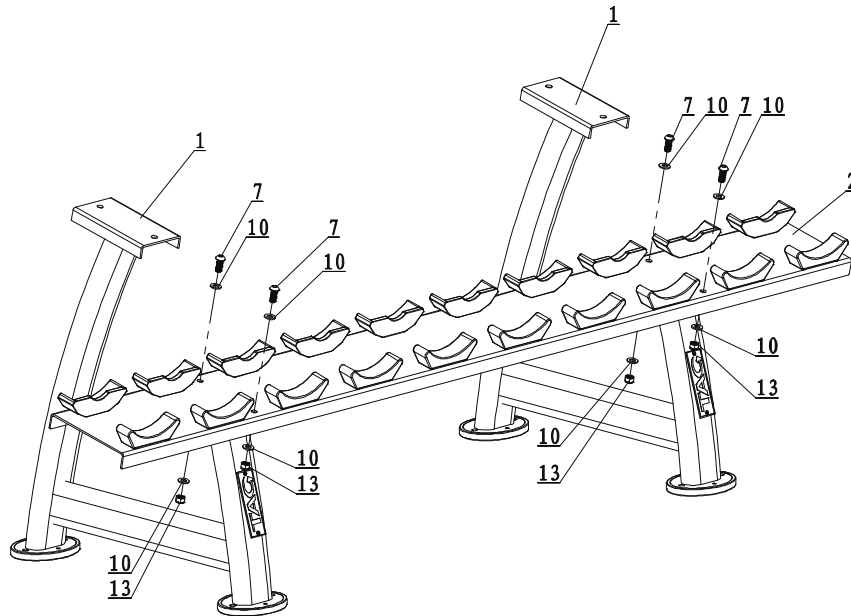
Exploded Drawing



Assembly

Step 1

Install Cross Frame 2234*228*37*4(2) to Upright Frame (1) using Hex Bolt M12*30(7), Flat Washer $\Phi 13.5*\Phi 24*2.5$ (10) and Nut M12 (13).



Step 2

Install Cross Frame 2234*228*37*4(2) to Upright Frame (1) using Hex Bolt M12*30(7), Flat Washer $\Phi 13.5*\Phi 24*2.5$ (10) and Nut M12 (13).

