

TAG

FITNESS

COMMERCIAL FITNESS EQUIPMENT SINCE 2007



2026 PRODUCT CATALOG



COMMERCIAL FITNESS EQUIPMENT SINCE 2007

WHY CHOOSE TAG FITNESS?

1. COMMERCIAL QUALITY & DURABILITY

- Full commercial fitness equipment with a focus on the strength segment designed to withstand heavy daily usage at great pricing!

2. IN-STOCK INVENTORY FOR FAST SHIPPING

- Tag Fitness stocks what we list with a goal of 24-48 hour shipping!

3. COMMERCIAL & VERTICAL MARKET FOCUS

- Trusted by commercial dealers, gyms, boutique fitness studios, schools, hotels, and corporate wellness programs.

4. LARGE, EFFICIENT DISTRIBUTION NETWORK

- A 60,000 sq. ft. warehouse centrally located in Chicago enables nationwide shipping with fast turnaround.

5. CUSTOMER-CENTRIC APPROACH

- We pride ourselves on:
 - Exceptional service and support
 - Answering the phone when our customers call

If you're looking for full commercial quality and readily available fitness equipment, Tag Fitness is a superior choice.





THE TAG FITNESS STORY

Founded in 2007 in Chicago, Illinois, TAG Fitness was built with a commitment to providing high-quality commercial strength fitness products at competitive prices. By partnering with a nationwide network of robust commercial fitness dealers, TAG has solidified its reputation as a trusted supplier of quality strength equipment within the fitness industry.

STRATEGIC GROWTH & INVESTMENT:

In **July 2023**, TAG Fitness entered a new phase of growth with its acquisition by **Middleton Partners**. This partnership infused the company with the capital and expertise necessary to accelerate expansion, strengthen operations, enhance service levels and provide innovation.

OPERATIONAL ENHANCEMENTS & EXPANSION:

- **2023-2024 Investments in Growth:**
 - Strengthened team and sourcing strategies
 - Increased inventory to ensure industry-leading stock levels
- **December 2023:**
 - Appointed **Director of Operations** to optimize warehouse efficiency
- **January 2024:**
 - Expanded customer support with a **dedicated customer service role**
- **February 2024:**
 - **Relocated to a larger 60,000 sq. ft, more efficient warehouse** – tripling the previous footprint
 - Implemented advanced **picking, shipping, and inventory management** processes
 - Opened a **2,000 sq. ft. showroom** for product demonstrations
- **March 2024:**
 - Launched a strategic sourcing initiative to diversify the manufacturing base
 - Secured partnerships with **three new factories** to enhance product availability and provide innovative fitness solutions

CONTENTS

WEIGHTS & BARS4-5	FITNESS BAYS 14-15
Plates, Bars, Fixed Barbells, Dumbbells, Kettlebells	Bolt Down and Free Standing Fitness Bays and Accessory Items
STORAGE RACKS6-7	PLATE LOADED DUAL STRENGTH
Dumbbells, Fixed Barbell and Kettlebell Racks	SELECTORIZED MACHINES..... 16-20
BENCHES.....8-9	SMITH MACHINES..... 21
All Benches	STRENGTH ACCESSORIES22-27
POWER RACKS.....10-11	Bands, Heavy Bags, Power Bags, Foam Rollers, Mats, Balls, Ropes,
Power Racks and Half Racks	Plyo Box, Attachments, Accessory Rack, Cardio Pump, Vinyl DB
FUNCTIONAL TRAINING / STORAGE SOLUTIONS12-13	
Functional Trainers, Versa Racks and Large Storage Rack	

BARS

NEW

7' NEUTRAL BAR BAR-NEUTRAL

- Multi-grip barbell has 3 handle options
- Total bar length of 7'
- Handle Diameter: 32mm
- Olympic-Sized Sleeves of 14.96"
- Bar Weight: 40lbs
- Color: black bar / chrome sleeves



NEW

7' OPEN HEX/TRAP BAR BAR-OPEN HEX/TRAP

- Black Anodized & Hard Chrome Open Hex/Trap Bar - 7'
- Dual Knurled Handles
- Handle Diameters: 1.18"/1.49"
- Olympic-Sized Sleeves
- Sleeve Length: 12.99"
- Bar Weight: 55lbs
- Color: black bar / chrome sleeves



PLATES



NEW
U12 URETHANE ENCASED PLATES
U12-# (Weight)

- Available in the following weights: 2.5lbs., 5lbs., 10lbs., 25lbs., 35lbs., 45lbs.



NEW
RUBBER ENCASED PLATES
RRP-# (Weight)



OLYMPIC PLATE TREE RCK-OPT

- Holds 850lbs. of Olympic Plate
- All welded steel frame
- Rubber feet to protect floors
- Size: 26"W x 32"H x 28"D (57lbs.)
- Plates sold separately
- Color: black



OLYMPIC TRI-GRIP URETHANE ENCASED PLATES
ULT-# (Weight)

- Available in the following weights: 2.5lbs., 5lbs., 10lbs., 25lbs., 35lbs., 45lbs.



OLYMPIC TRI-GRIP RUBBER ENCASED PLATES
RBR-# (Weight)

BUMPER PLATES



BUMPER PLATES

- OBP-# (Weight)
- Available in the following weights: 10lbs., 15lbs., 25lbs., 35lbs., 45lbs. (also available 5lbs. Plastic add-on plate)

BUMPER PLATE RACK
RCK-BPR

- 11 Gauge steel tube frame
- Size: 12"W x 13"H x 56"D (38lbs.)
- Color: black



ECON & COMPETITION CUSTOM BUMPER PLATES



OLYMPIC POWER BAR

- BAR-PWR2000
- 7' 2000lb. test
 - 28mm Grip
 - No center knurling
 - 86-3/8" Wide (44lbs.)
 - Color: chrome



7' HIGH TEST BAR

- BAR-7'HIGHTEST
- 7' 1500lb. test
 - 28mm Grip
 - Center knurl
 - 84" Wide (44lbs.)
 - Color: black bar / chrome sleeve



7' CHROME OLYMPIC BAR

- BAR-7'OLYMPIC
- 7' 1200lb. test
 - 30mm Grip
 - No center knurling
 - 84" Wide (44lbs.)
 - Color: chrome



7' OLYMPIC RESIDENTIAL BAR

- BAR-OLYRES
- 7' 700lb. test
 - 30mm Grip
 - Center knurl
 - 86-1/2" Wide (44lbs.)
 - Color: chrome



LIGHTWEIGHT BAR

- BAR-LTWGT
- 6'6" 1000lb. test
 - 25mm Grip
 - 78" Wide (33lbs.)
 - Color: chrome



47" OLYMPIC CURL BAR

- BAR-EZ
- 32mm Grip
 - 49" Wide (22lbs.)
 - Color: chrome



HEX BAR

- BAR-HEX/TRAP
- 55-3/8" Wide, 25mm grip,
 - 10" sleeves (44lbs.)
 - Color: chrome

MEGA HEX BAR

- BAR-MEGAHEX/TRAP
- 64-1/4" Wide, 32mm grip,
 - 12-3/4" sleeves (76 lbs.)
 - Color: chrome



SAFETY SQUAT BAR

- BAR-SQUAT
- 7' 1000lb. test
 - 86" W x 13" H (55lbs.)
 - Color: black

*Warranty: Two years Rubber Plates, Six years Urethane Plates

BARBELLS



URETHANE FIXED STRAIGHT BARS BBEL-STRT-# (Weight)

- Available in sizes 20lbs. - 110lbs. in 10lb. increments
- Urethane encased all steel heads (not cast iron)



URETHANE FIXED CURL BARS BBEL-EZ-# (Weight)



8-SIDED URETHANE FIXED STRAIGHT BARS U8BBEL-STRT-# (Weight)

- Available in sizes 20lbs. - 110lbs. in 10lb. increments
- Urethane encased all steel heads (not cast iron)



8-SIDED URETHANE FIXED CURL BARS U8BBEL-EZ-# (Weight)



8-SIDED RUBBER FIXED STRAIGHT BARS R8BBEL-STRT-# (Weight)

- Available in sizes 20lbs. - 110lbs. in 10lb. increments
- Urethane encased all steel heads (not cast iron)



8-SIDED RUBBER FIXED CURL BARS R8BBEL-EZ-# (Weight)

CLAMPS



OLYMPIC BAR CLAMPS ACC-MC

- Sold in pairs
- Color: black



LOCKING BAR COLLAR ACC-LBC

- Sold in pairs
- Color: black



TAG SPRING CLIPS ACC-OSC

- Sold in pairs
- Color: chrome with orange



ADD YOUR LOGO TO OUR PRODUCTS

CUSTOMIZING DUMBBELL, FIXED BARBELL & OLYMPIC BUMPER PLATE

Customizing logo dumbbells is a great way to create branded fitness equipment for gyms, personal use, or corporate gifting. Look for the orange gear icon by products identifying which products are customizable. No minimum order quantities. One time set-up fee of \$250. Lead time 14-16 weeks for Dumbbells and Fixed Barbells, 4-6 weeks for Olympic Bumper plates.

Customization process:

- Supply your Logo to orders@tagfitness.net
 - Preferable vector file (.ai, .eps) with Pantone colors
 - Identify logo placement
- Choose type of Dumbbell, Fixed Barbell or Bumper Plate
- Proof will be sent to you for approval prior to production

For more information on customization, please contact us at orders@tagfitness.net or call 877-824-4348.



DUMBBELLS



PREMIUM ROUND URETHANE DUMBBELLS DBU-# (Weight)

- Hard-chrome straight handle
- Premium urethane finish
- All steel heads (not cast iron)
- Available from 5lbs. -150lbs. in 5lbs. increments, and 7.5lbs. -27.5lbs. in half size increments



8-SIDED PRO-STYLE URETHANE DUMBBELLS U8DB-# (Weight)

- Hard-chrome straight handle
- Premium urethane finish
- All steel heads (not cast iron)
- Available from 5lbs. -150lbs. in 5lbs. increments, and 7.5lbs. -52.5lbs. in half size increments



8-SIDED PRO-STYLE RUBBER DUMBBELLS R8DB-# (Weight)

- Hard-chrome straight handle
- Encased in virgin rubber
- All steel heads (not cast iron)
- Available from 5lbs. -100lbs. in 5lbs. increments



HEX RUBBER DUMBBELLS HEX-# (Weight)

- Hard-chrome straight handle
- Encased in virgin rubber
- All steel heads (not cast iron)
- Available from 3/5/8/10/12/15-100lbs. (by 5's)



VINYL COATED BEAUTYBELLS VINYLDB-# (Weight)

- Contoured handle
- Elite PVC urethane dumbbell head
- Available in 1-10 by 1lb. increments and 12lbs. & 15lbs.

KETTLEBELLS



POWDER COATED KETTLEBELLS KETL-# (Weight)

- Great for both individual and group exercise training
- Essential for core, upper body strength training
- Compact design - labeled in kg/lbs.
- Stripped colors for weight recognition
- Powder coated
- Color: black
- Available in KG weights of 4, 6, 8, 10, 12, 14, 16, 18, 20, 24, 28, 32, 36



RUBBER KETTLEBELLS RKETL-# (Weight)

- Great for both individual and group exercise training
- Chemical chrome smooth handle - no flaking or chipping
- Encased in thick virgin rubber
- Color: black
- Available in lb. weights of 5, 8, 10, 12, 15, 20, 25, 30, 35, 40, 45, 50, 60, 70 & 80

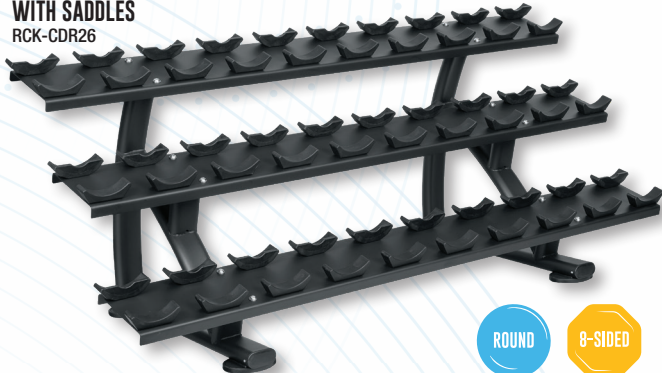
*Warranty: Two years Rubber Dumbbells & Fixed Barbells, Six years Urethane Dumbbells & Fixed Barbells

3-TIER 10 PAIR DUMBBELL RACK WITH SADDLES RCK-SD3.1



- 10-Pair Saddle Rack
- Designed for a set of 5-50 Round or 8-sided Dumbbells
- 58"W x 36"H x 36"D (199lbs.)
- Color: black

3-TIER 15 PAIR DUMBBELL RACK WITH SADDLES RCK-CDR26



- 15-Pair Saddle Rack
- Designed for a set of 5-75 Round or 8-sided Dumbbells
- 86.5"W x 36"H x 36"D (285 lbs.)
- Color: black

2-TIER 10-PAIR DUMBBELL RACK WITH SADDLES RCK-CDR22 (no number cut outs) RCK-CDR22S (laser cut #'s 5-50) as shown RCK-CDR22L (laser cut #'s 55-100)



- 10-Pair Saddle Rack
- Designed for any 10 pairs of Round or 8-Sided Dumbbells
- 88"W x 34"H x 30"D (180 lbs.)
- Color: black



3-TIER TRAY RACK RCK-KBR3



- 14 gauge 2x4 oval steel tube frame construction
- Can be used for Kettlebell, Slam Ball, Wall Ball, Dumbbells, etc.
- 62"W x 39"H x 24"D (110lbs.)
- Color: black

2-TIER TRAY RACK RCK-KBR2



- 14 gauge 2x4 oval steel tube frame construction
- Can be used for Kettlebell, Slam Ball, Wall Ball, Dumbbells, etc.
- 40"W x 22"H x 26"D (110lbs.)
- Color: black

10-BAR FIXED BARBELL RACK RCK-BBR

- Constructed of heavy-gauge steel with powder coated finish
- Holds 10 fixed barbells
- 31"W x 53"H x 40"D (135lbs.)
- Color: black



5-BAR FIXED BARBELL RACK RCK-5BBR

- Constructed of heavy-gauge steel with powder coated finish
- Holds 5 Fixed Barbells
- 30"W x 55"H x 30"D (88lbs.)
- Color: black



3-TIER HORIZONTAL DUMBBELL RACK
RCK-HDR



- Designed to hold Hex: 5-50, 5-50 with 3/8/12, 5-60, 65-100
- Inside tray size width 47.5"
- 55"W x 39"H x 35"D (161lbs.)
- Color: black

3-TIER HORIZONTAL DUMBBELL RACK
RCK-HDR54



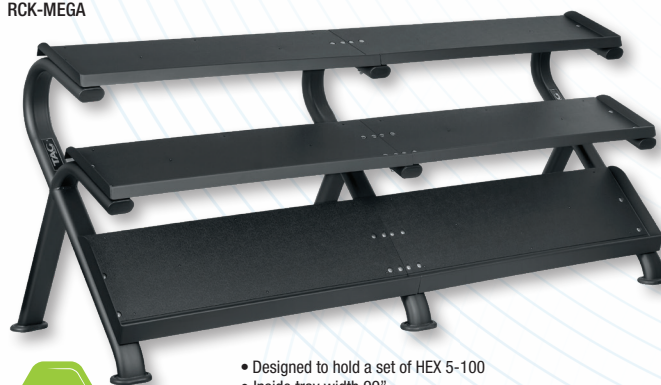
- Designed to hold Hex: 5-50, 5-50 with 3/8/12, 5-60, 65-100
- Inside tray size width 47.5"
- 59"W x 39"H x 31"D (181lbs.)
- Color: black

3-TIER HORIZONTAL DUMBBELL RACK
RCK-HDR70



- Designed to hold a set of Hex 5-75
- 71.25"W x 42.25"H x 34.5"D (285lbs.)
- Color: black

MEGA RACK
RCK-MEGA



- Designed to hold a set of HEX 5-100
- Inside tray width 99"
- 103"W x 43"H x 36"D (358lbs.)
- Color: black



A-FRAME DUMBBELL RACK FOR HEX DUMBBELLS
RCK-10AF

- Rack to be used for HEX Dumbbells 5-50
- 30"W x 60"H x 22"D (62lbs.)
- Color: black



8-PAIR VERTICAL DUMBBELL RACK FOR HEX DUMBBELLS
RCK-SBSVDR8

- 14 gauge steel
- Rack to be used for HEX Dumbbells 3-25 or 5-40
- 33"W x 45"H x 25"D (87lbs.)
- Color: black



10-PAIR VERTICAL DUMBBELL RACK FOR HEX DUMBBELLS
RCK-VDR10

- 14 gauge steel
- Rack to be used for HEX Dumbbells 5-50
- 33"W x 57"H x 25"D (105lbs.)
- Color: black



ELITE BENCH
BNCH-ELITE

- Constructed of 8-gauge oval tubing
- Flat to incline with single pop-pin adjustment
- Transport wheels & handle for easy mobility
- Premium stitching
- Upgraded 10.5"W back pad
- 29"W x 17"H x 56"D (96lbs.)
- Color: black



MULTI-ANGLE POWER BENCH
BNCH-PWR

- Constructed of 8 & 10-gauge square tubing
- Flat to Incline w/separate seat adjustment
- Transport wheels and handle for easy mobility
- Stands up for easy storage
- 12"W Back pad
- 29"W x 17"H x 51"D (85lbs.)
- Color: black



FLAT/INCLINE/DECLINE BENCH
BNCH-FID

- Flat/Incline/Decline with separate pop-pin adjustments
- Adjustable from -10 to 80 degrees
- Transport wheels and handle for easy mobility
- 11.5"W Back pad
- 29"W x 17.5"H x 49"D (83lbs.)
- Color: black



ADJUSTABLE DECLINE BENCH
BNCH-DB

- 11 gauge steel construction
- Transport wheels & handle for easy mobility
- 10"W Back pad
- 33"W x 46"H x 57"D (120lbs.)
- Color: black



SEATED PREACHER CURL BENCH
BNCH-PB

- Single piece mainframe for added durability
- 26.5"W Arm pad
- 34"W x 36"H x 38"D (100lbs.)
- Color: black



UTILITY BENCH
BNCH-UB

- Seat low to the ground for stability and comfort
- 12"W Back pad
- 31"W x 36"H x 32"D (44lbs.)
- Color: black



SIT-UP BENCH
BNCH-SUB

- 23° Angled pad
- Transport wheels & handle for easy mobility
- 33"W x 23"H x 48"D (52lbs.)
- Color: black



GLUTE HAM DEVELOPER
BNCH-GHD

- 11-gauge steel construction
- Vertical & horizontal adjustments ensure proper fit
- Oversized pads for comfort
- Transport wheels for easy mobility
- 39"W x 44"H x 66"D (142lbs.)
- Color: black



HYPER EXTENSION BENCH
BNCH-HYP

- Adjustable thigh pads
- Transport wheels for easy mobility
- 33"W x 37"H x 49"D (87lbs.)
- Color: black



FLAT BENCH
BNCH-FB

- Single piece mainframe for added durability
- Transport wheels and handle for easy mobility
- 11"W Pad
- 33"W x 17.5"H x 45"D (52lbs.)
- Color: black

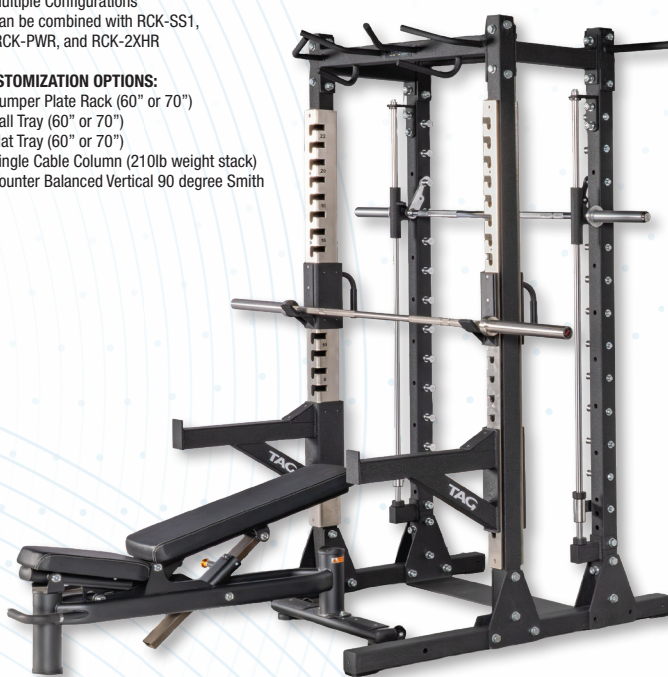
RIG SYSTEM **NEW**

RIG81

- Fully customizable
- Expandable attachments & accessories available
- Free standing
- Ideal for small or large group training
- Multiple Configurations
- Can be combined with RCK-SS1, RCK-PWR, and RCK-2XHR

CUSTOMIZATION OPTIONS:

- Bumper Plate Rack (60" or 70")
- Ball Tray (60" or 70")
- Flat Tray (60" or 70")
- Single Cable Column (210lb weight stack)
- Counter Balanced Vertical 90 degree Smith





SS1 POWER RACK WITH STAINLESS STEEL SLEEVES RCK-SS1

- 3x3 Steel Uprights
- Laser cut numbering system
- Stainless steel upright racking
- J Hooks & Pro Style Safety Spotter Arms INCLUDED
- Adjustable Plate Horns INCLUDED
- Multi Chin-Up Positions INCLUDED
- 1" Heavy case hardened hardware
- Heavy-duty 8 & 10 gauge square tubing
- Crinkle black electrostatic powdercoat
- Welded endcaps
- 75"W x 96"H x 62"D (630 lbs.)
- Color: black
- Compatible with RIG81

AVAILABLE OPTIONS

- Flat Tray
- Ball Tray
- Bumper Plate Rack
- Landmine
- Dip Station

POWER 1/2 RACK RCK-PWR

- 3x3 Steel Uprights
- Laser cut numbering system
- J Hooks & Safety Spotter Arms INCLUDED
- Adjustable Plate Horns INCLUDED
- Multi Chin-Up Positions INCLUDED
- 1" Heavy case hardened hardware
- Heavy-duty 8 & 10 gauge square tubing
- Crinkle black electrostatic powdercoat
- Welded endcaps
- 75"W x 96"H x 62"D (480lbs.)
- Color: black
- Compatible with RIG81

AVAILABLE OPTIONS

- Flat Tray
- Ball Tray
- Bumper Plate Rack
- Landmine
- Dip Station
- Bar Holders



DOUBLE 1/2 RACK

- RCK-2XHR**
- 75"W x 96"H x 107"D (580lbs.)
 - Color: black
 - Compatible with RIG81



POWER RACK COMBO

- RCK-PWRCOMBO**
- 198"W x 96"H x 62"D
 - Color: black
 - Compatible with RIG81



CUSTOM CONNECTOR
CUSTOMIZE WITH YOUR LOGO

POWER RACK & HALF RACK OPTIONS

PAIR OF CONNECTING BARS RCK-PWR/CON (60" or 70")



TRAY RCK-PWR/FDR (60" or 70")

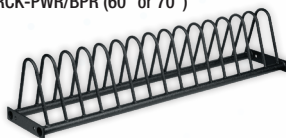


• Can be used in flat or angled position

MED BALL RACK RCK-PWR/MBR (60" or 70")



BUMPER PLATE RACK RCK-PWR/BPR (60" or 70")



DIP STATION RCK-PWR/DIP



LANDMINE RCK-PWR/LMA

HALF RACK ONLY OPTIONS

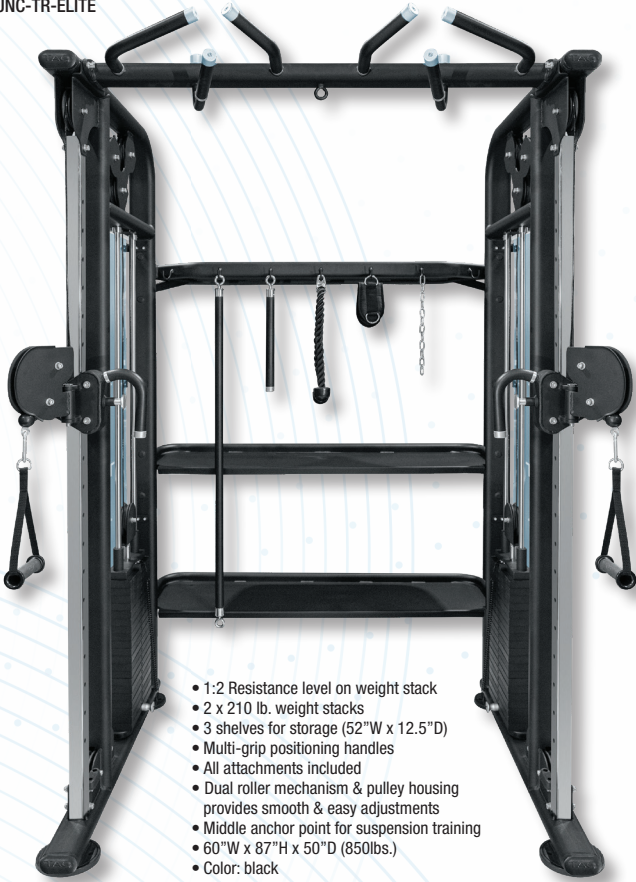


BAR STORAGE RCK-PWR/BH



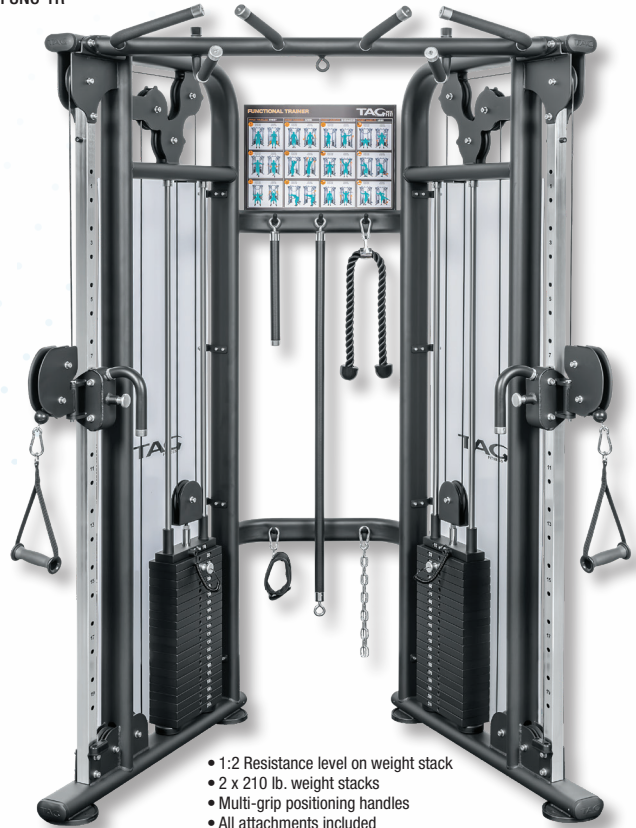
BAR STORAGE RCK-PWR/VBH

ELITE FUNCTIONAL TRAINER
FUNC-TR-ELITE



- 1:2 Resistance level on weight stack
- 2 x 210 lb. weight stacks
- 3 shelves for storage (52"W x 12.5"D)
- Multi-grip positioning handles
- All attachments included
- Dual roller mechanism & pulley housing provides smooth & easy adjustments
- Middle anchor point for suspension training
- 60"W x 87"H x 50"D (850lbs.)
- Color: black

FUNCTIONAL TRAINER
FUNC-TR

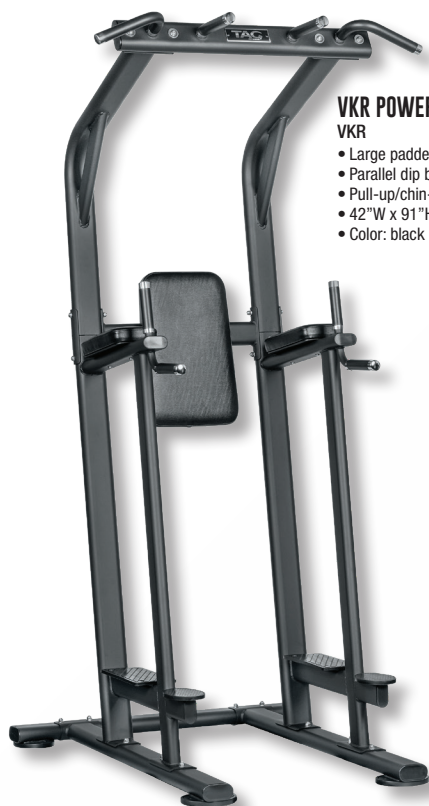


- 1:2 Resistance level on weight stack
- 2 x 210 lb. weight stacks
- Multi-grip positioning handles
- All attachments included
- Dual roller mechanism & pulley housing provides smooth & easy adjustments
- Middle anchor point for suspension training
- Includes Exercise/Workout placard
- 60"W x 87"H x 38"D (785lbs.)
- Color: black



FUNCTIONAL TRAINER 60
FT60

- 2 x 160 lb. weight stacks
- Multi-Position Pull-up bar to provide a variety of exercise options
- Attachments: Small Bar, Ankle Cuff, 24" Tricep Rope & Pair Of Nylon Grip Handles
- Heavy gauge metal pulley housing covers
- Stainless steel 2" square tube uprights
- 61"W x 80"H x 48"D (670lbs.)
- Color: black



VKR POWER TOWER

VKR

- Large padded backrest with lumbar support
- Parallel dip bars
- Pull-up/chin-up bar
- 42"W x 91"H x 48"D (185lbs.)
- Color: black

TAG LARGE STORAGE UNIT
RCK-ACR45



Accessories sold separately

- Heavy duty trays with 3 x 2 steel 14-gauge tubing
- Multiple opportunities for storage
- Hooks for stretch cords/bands
- Tablet/phone holder so you can follow workouts
- Mat Rack that holds up to 10 mats
- Stability Ball Tray Holder (on top only)
- Med Ball/Ballistic Ball/Wall Ball Holder
- 83"W x 79"H x 35"D (525lbs.)
- Color: black



VERSA RACK

RCK-VERSA (Rack Only)

VERSA1 (Rack and Items Pictured)

- 2 x 2 Steel 12-gauge uprights
- Adjustable at any height for Ball Holders
- Trays can hold 5-30lbs. Hex Dumbbells, Slam Balls, Kettlebells, Dumbbells, Foam Rollers, Yoga Mats, etc.

- Holds Mat w/grommets 19" on center up to 71" long
- Welded endcaps
- Heavy duty casters available
- 72"W X 80"H x 34"D (170lbs.)
- Color: black

Casters & Foam Roller Holder sold separately



TAG PERFORMANCE CART

RCK-PERF

- 2x2 Steel 12-gauge uprights
- Adjustable shelf heights
- Load trays w/Slam Balls, Kettlebells, Dumbbells, Foam Rollers, Yoga Mats
- Open top to hold any size Stability Ball
- 4 Medicine Ball Holder
- 4 MAT RACK Holder for 52" Grommet Mat (ACC-EMS)
- Hooks to hold Stretch Cords/Bands
- Welded endcaps
- Foam Roller Holder INCLUDED
- Tablet Holder available
- Heavy Duty Casters available
- 49"W x 61"H x 26"D (135lbs.)
- Color: black

Casters & Tablet Holder sold separately

FITNESS BAYS CAN BE ORDERED IN ANY

STANDARD FITNESS BAY **NEW**

FBS-HSB

Single Storage Bay

Each Bay comes with:

- 1 Chin Up Bar
- 2 Outside Hooks
- 2 Inside Plate Horns
- 2 Resistance Pegs
- 2 Battle Rope Anchors
- 2 Flat Shelves
- 1 Med Ball Shelf
- 1 Mat Rack
- 68"W 92"H x 49"D
- Color: black
- 300lb Counterbalance Weights
- Extended Feet

CUSTOMIZE YOUR BAYS WITH:

- Flat Trays (FB-FST)
- Ball Storage Tray (FB-BSR)
- Plate/Ball Storage Rack (FB-PSR)
- Vertical Dumbbell Storage (FB-VDB)
- Land Mine (FB-LMA)
- Wall Ball Target (FB-WBT)
- Mat Rack (FB-MRA)
- Storage Basket (FBS-BSKT)



FITNESS BAY ACCESSORIES



MAT RACK



BALL STORAGE

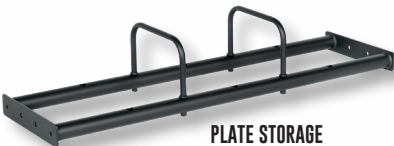


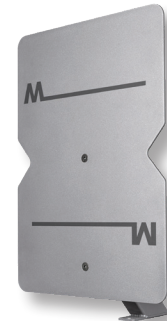
PLATE STORAGE



DUMBBELL/KETTLEBELL STORAGE



LANDMINE ATTACHMENT



WALL BALL TARGET



VERTICAL DUMBBELL STORAGE

CONFIGURATION TO FIT YOUR SPACE

STANDARD TRIPLE BAY **NEW**

FBS-TRIPLE

Triple Storage Bay

Triple Bay comes with:

- 3 Chin Up Bar
- 6 Outside Hooks
- 6 Inside Plate Horns
- 6 Resistance Pegs
- 4 Battle Rope Anchors
- 9 Flat Shelves
- 3 Med Ball Shelf
- 1 Mat Rack
- 190"W x 92"H x 49"D
- Color: black
- 300lb Counterbalance Weights
- Extended Feet

ADD ADDITIONAL BAYS

& CUSTOMIZE WITH:

- Flat Tray (FB-FST)
- Ball Storage Tray (FB-BSR)
- Plate/Ball Storage Rack (FB-PSR)
- Vertical Dumbbell Storage (FB-VDB)
- Land Mine (FB-LMA)
- Wall Ball Target (FB-WBT)
- Mat Rack (FB-MRA)
- Storage Basket (FBS-BSKT)



FITNESS POST

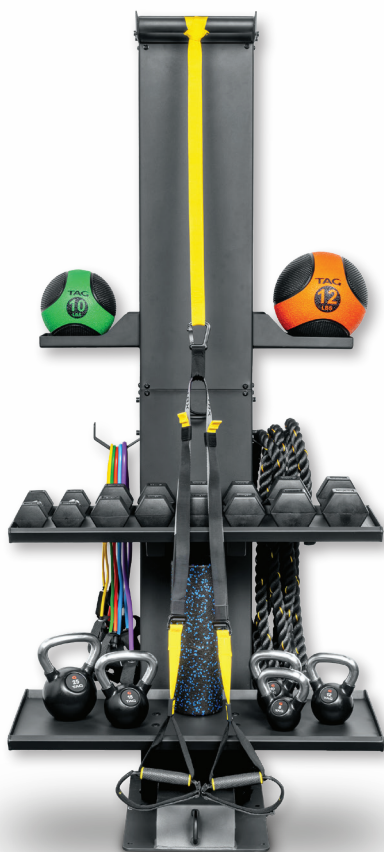
FP

Compact single post

* Anchored to floor required.

Comes with:

- 2 Front shelves: 1 shelf - 10"D x 40"W & 1 shelf - 13"D x 40"W
- 2 Side shelves 6"D x 11.5"W
- 8' Suspension Trainer/Band Anchor Point
- Mid-Level D Ring Attachment Point for band work
- Lower D-Ring Attachment Point for Battle Rope and/or Bands
- 2 Side hooks for storage of Bands/Ropes
- 41"W x 92"H x 30"D (430lbs.)
- Color: black



Accessories sold separately

CUSTOMIZE YOUR BAYS WITH:

- Flat Trays (FB-FST)
- Ball Storage Tray (FB-BSR)
- Plate/Ball Storage Rack (FB-PSR)
- Vertical Dumbbell Storage (FB-VDB)
- Land Mine (FB-LMA)
- Wall Ball Target (FB-WBT)
- Mat Rack (FB-MRA)
- Storage Basket (FBS-BSKT)

BOLT DOWN FITNESS BAY SINGLE

FB-B-HSB

Single Storage Bay

Each Bay comes with:

- New Slim base design allows for optimized space
- 1 Chin Up Bar
- 2 Outside Hooks
- 2 Inside Plate Horns
- 2 Resistance Pegs
- 2 Battle Rope Anchors
- 2 Flat Shelves
- 1 Med Ball Shelf
- 1 Mat Rack
- 68"W x 92"H x 46.5"D
- Color: black





HACK SQUAT
ELITE-HS
 • Plate loaded
 • 51"H x 74"W x 87"D (575lbs.)
 • Color: black



LEG PRESS
ELITE-LP
 • Plate loaded
 • 61"H x 77"W x 90"D (620lbs.)
 • Color: black



INNER/OUTER THIGH
ELITE-INNER/OUTER THIGH
 • 160 lb. Weight stack
 • 60"H x 62"W x 67"D (449lbs.)
 • Color: black

PEC FLY/REAR DELT

- ELITE-PEC/DELT**
- 235 lb. Weight stack
 - 81"H x 51"W x 52"D (555lbs.)
 - Color: black



CHIN/DIP ASSIST

- ELITE-CHIN/DIP ASSIST**
- 160 lb. Weight stack
 - 90"H x 52"W x 62"D(537lbs.)
 - Color: black



LAT PULL DOWN/VERTICAL ROW

- ELITE-LAT PULL/ROW**
- 235 lb. Weight stack
 - 89"H x 36"W x 75"D (499lbs.)
 - Color: black



**Please ask about weight stack options of 160, 200, 235 or 295 lbs.*



LEG PRESS/CALF
ELITE-LEG PRESS/CALF
 • 295 lb. Weight stack
 • 60"H x 46"W x 73"D (760lbs.)
 • Color: black



MULTI PRESS
ELITE-MULTI PRESS
 • 235 lb. Weight stack
 • 66"H x 58"W x 77"D (601lbs.)
 • Color: black



LEG EXTENSION/CURL
ELITE-LEG EXT/CURL
 • 200 lb. Weight stack
 • 60"H x 49"W x 54"D (568lbs.)
 • Color: black

TOTAL HIP
ELITE-TOTAL HIP

- 160lb. Weight stack
- Non-slip adjustable platform
- 60"H x 49"W x 54"D (550lbs.)
- Color: black



ABDOMINAL/BACK EXTENSION
ELITE-AB/BACK

- 160 lb. Weight stack
- 60"H x 49"W x 48"D (458lbs.)
- Color: black

BICEP CURL/TRICEP EXTENSION
ELITE-BICEP/TRICEP

- 160 lb. Weight stack
- 60"H x 49"W x 52"D (541lbs.)
- Color: black



*Please ask about weight stack options of 160, 200, 235 or 295 lbs.



SINGLE CABLE COLUMN

ELITE-SINGLECABLE

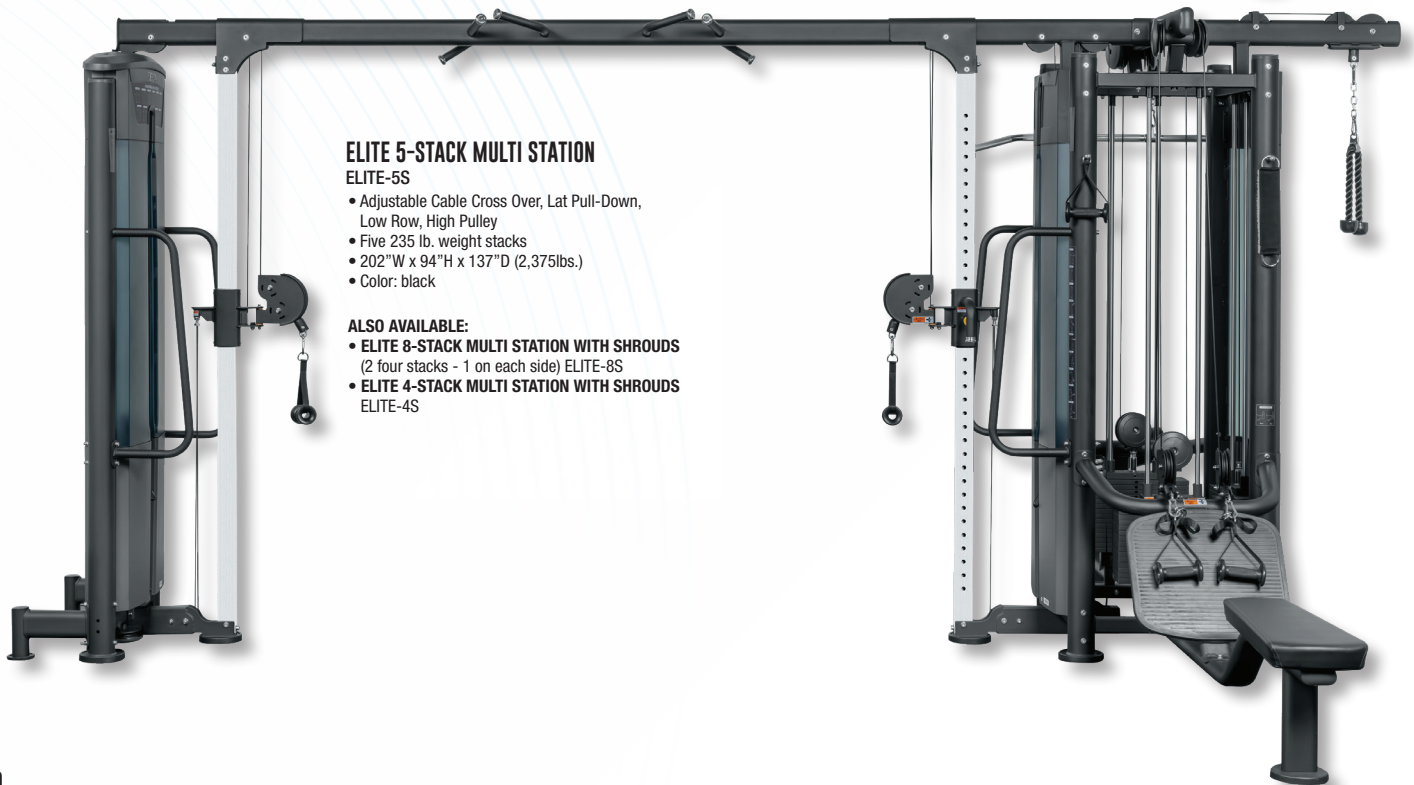
- One 200 lb. weight stack
- 40"W x 94"H x 60"D (475lbs.)
- Color: black



CABLE CROSSOVER

ELITE-CC

- Two 200 lb. weight stacks
- 165"W x 94"H x 60"D (1,150lbs.)
- Color: black



ELITE 5-STACK MULTI STATION

ELITE-5S

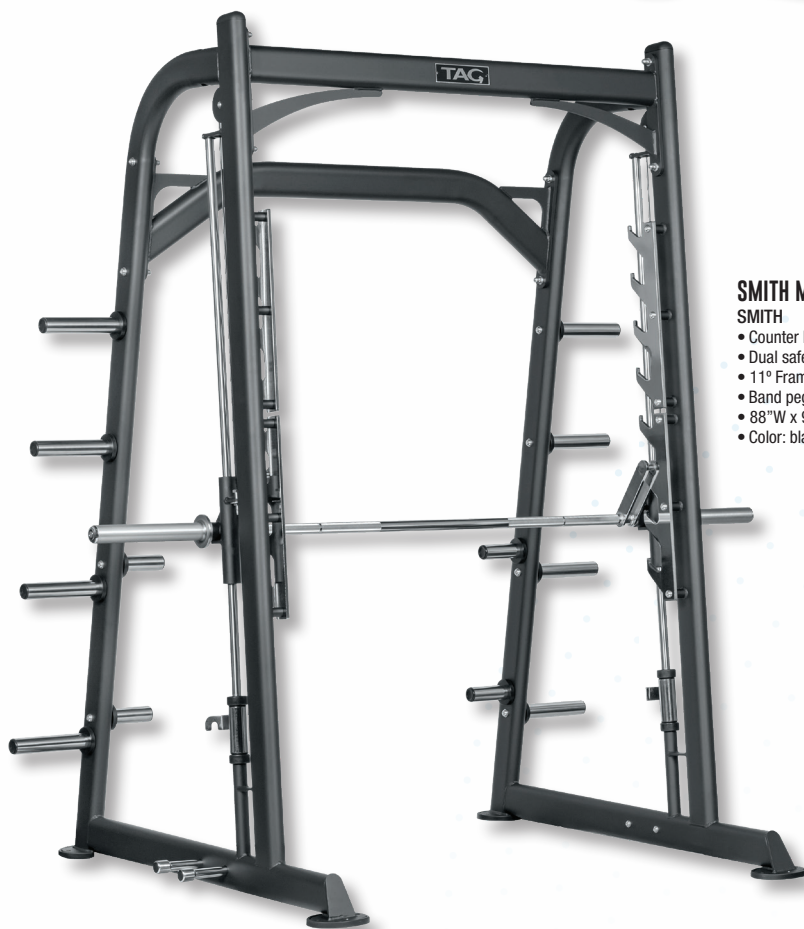
- Adjustable Cable Cross Over, Lat Pull-Down, Low Row, High Pulley
- Five 235 lb. weight stacks
- 202"W x 94"H x 137"D (2,375lbs.)
- Color: black

ALSO AVAILABLE:

- **ELITE 8-STACK MULTI STATION WITH SHROUDS**
(2 four stacks - 1 on each side) ELITE-8S
- **ELITE 4-STACK MULTI STATION WITH SHROUDS**
ELITE-4S

LINEAR BEARING SMITH MACHINE**ELITE-SM**

- Counter balanced bar weighs 5lbs.
- Dual safety stops
- 7° Frame angle
- 89"W x 93"H x 53"D (450lbs.)
- Color: black

**SMITH MACHINE****SMITH**

- Counter balance bar weighs 14lbs.
- Dual safety stops
- 11° Frame angle
- Band pegs
- 88"W x 91"H x 54"D (375lbs.)
- Color: black



STRENGTH RESISTANCE BANDS

- Perfect for rehabilitation &/or strength training
- Isolate target muscles

SBAND-H
Heavy - Blue
41"L x 4.5mm Thick x 2-1/2"W

SBAND-M
Medium - Grey
41"L x 4.5mm Thick x 1-3/4"W

SBAND-L
Light - Purple
41"L x 4.5mm Thick x 1-1/8"W

SBAND-XL
Xtra Light - Green
41"L x 6.4mm Thick x 1/2"W

STRETCH CORDS

- Perfect for rehabilitation &/or strength training
- Isolate target muscles

XERTONE-SET
Includes all 5 bands

XERTONE-UH
Ultra Heavy - Purple
5/16" x 1/8" x 53"L

XERTONE-M
Medium - Red
1/4" x 3/32" x 50"L

XERTONE-H
Heavy - Blue
1/4" x 1/8" x 53"L

XERTONE-VL
Very Light - Yellow
3/16" x 1/16" x 44"L

XERTONE-L
Light - Green
1/4" x 1/16" x 44"L



BOXING GLOVES

- ACC-BOXGLOVE-LGT** **NEW**
ACC-BOXGLOVE-HVY
- Artificial Leather
 - Matte Finish
 - Two different sizes available:
Light weight (10oz - 12oz)
Heavy weight (14oz - 16oz)
 - Color: black



MMA GLOVES

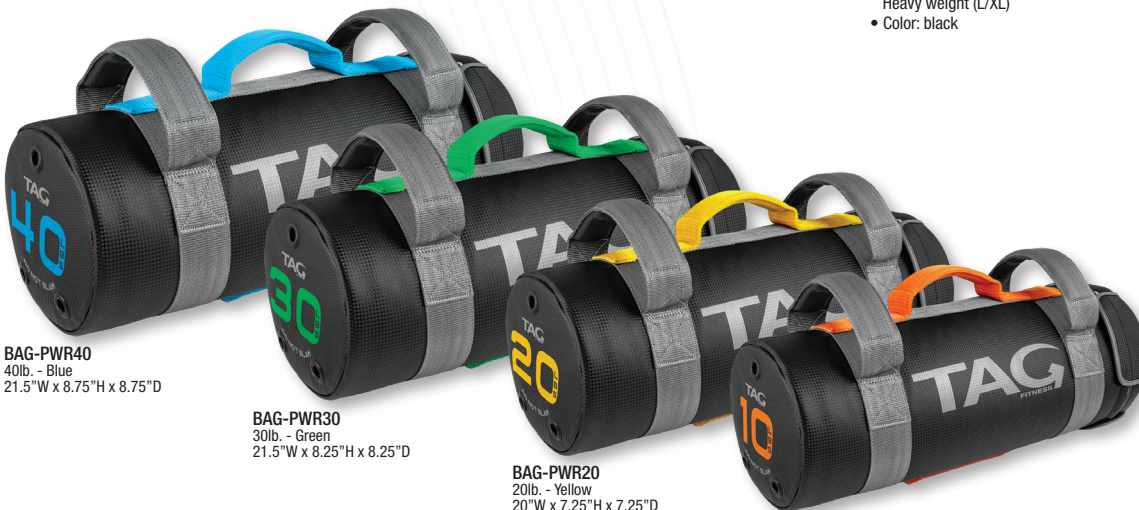
- ACC-MMAGLOVE-LGT** **NEW**
ACC-MMAGLOVE-HVY
- High-performance foam for ultimate knuckle protection & flexibility
 - Two different sizes available:
Light weight (S/M)
Heavy weight (L/XL)
 - Color: black



HEAVY BAGS

BAG-HVY(WEIGHT)

- Heavy Bags available in 75 & 100 lbs.



BAG-PWR40
40lb. - Blue
21.5"W x 8.75"H x 8.75"D

BAG-PWR30
30lb. - Green
21.5"W x 8.25"H x 8.25"D

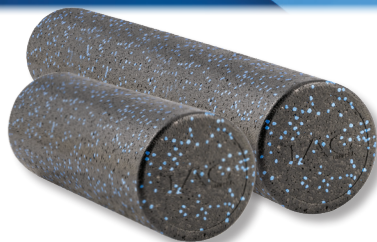
BAG-PWR20
20lb. - Yellow
20"W x 7.25"H x 7.25"D

BAG-PWR10
10lb. - Orange
19.5"W x 7.25"H x 7.25"D

POWER BAGS

- Multiple handle configuration for different exercise isolations





FOAM ROLLER
ACC-FMRLR18
ACC-FMRLR36

- High density 36" or 18" x 6" polypropylene foam roller
- Color: black with blue speckles



YOGA MAT
ACC-YOGAMAT

- 24"W x 1/4"H x 68"L
- Color: light blue



AB MAT
ACC-AB MAT

NEW

- Smooth, non-skid back
- Contoured design for optimal comfort and range of motion
- 12"W x 14.5"H x 3"D (2 lbs)
- Color: black



DROP PAD
ACC-DROP PAD

NEW

- Provides cushion and noise reduction
- Durable vinyl surface with handles
- Filled with 6" thick rebound foam
- Sold in pairs
- Reduce noise and vibrations
- Handles portable solution for barbell training
- 20"W x 6"H x 30"D (16 lbs each)
- Color: black



BAR PAD
ACC-BAR PAD

NEW

- High-Density Foam
- Premium anti-slip material prevents shifting while lifting
- Ideal for squats, lunges, hip thrusts and more
- Fits Standard & Olympic Bars – Compatible with all standard hip thrust bars & squat bars
- 15.5"W x 4"H x 4"D (11lb)
- Color: black



TRI-FOLD MAT
ACC-TRI-FOLD MAT

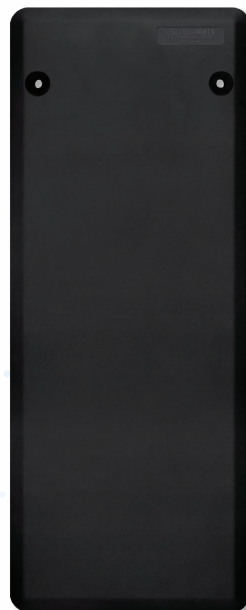
NEW

- 1" dense polyurethane rebound foam
- Stitched handles
- Fold-up design and handles make for easy movability and storage
- 24"W x 1"H x 73"D (12 lbs)
- Color: black



MAT/ACCESSORY RACK
RCK-MAT

- Casters included for easy mobility
- Holds 20 grommet mats and stretch cords/accessories
- Fits grommet widths of 18", 19" or 20"
- 36"W x 78"H x 24"D (35lbs.)
- Color: black



FITNESS MAT WITH GROMMETS
ACC-EMS or EML



PREMIUM FITNESS MATS
ACC-PFMB55
ACC-PFMB4

NEW

- 100% Advanced polyurethane technology
- 5/8" dense composition
- Meets the ASTM G21 standards for anti-microbial properties
- 5-Year performance warranty
- 100% formulated and made in the USA
- 4ft Mat: 26"W X 47"H x 5/8"D
- 5.5ft Mat: 26"W X 66"H x 5/8"D
- Color: black





3-WAY SOFT PLYO BOX

PLYO-3WAY

- Heights: 20", 24" and 30" (70lbs.)
- Heavy duty vinyl cover for durability
- Extra grip landing area on all sides
- Well-balanced, maintains original shape
- Color: black

PYLO STACK SET

NEW

PLYO-STACK-SET

- Vinyl covered foam to help prevent injury
- Customize your own plyo box height
- Velcro straps on 2 sides for added security
- Only sold in a set of 4 (6", 12", 18", 24")
- Color: black



BATTLE ROPES

ACC-ROPE-1.5-# (Length)

ACC-ROPE-2-# (Length)

- Available in 1.5" & 2" diameters and in 20', 30', 40' & 50' lengths
- Color: black



GLUTE BOX

NEW

GLUTE BOX

- High-density foam construction for comfort and support
- Durable, non-skid covering for stability
- Unique angled design to support a wide range of exercises
- Lightweight for effortless portability
- Compact size for easy storage
- 28"W x 16"H x 24.5"D (21 lbs)
- Color: black

BOSU BALL

ACC-BOSU

- The BOSU® PRO Balance Trainer challenges the entire body with integrated, multi-joint movement that requires muscle groups to work together
- Color: light blue



BULLET PROOF MEDICINE BALL

BP-MB

- 14" Diameter
- Sizes Available: 6, 8, 10, 12, 15, 18, 20, 25, 30 and 35 lbs.
- Constructed of ballistic type fabric
- Nearly indestructible
- Color: black



SLAM BALL

TTSLAM-# (Weight)

- Textured for better grip and handling
- Synthetic, weather-resistant rubber surface
- Sizes Available: 5, 8, 10, 12, 15, 20, 25, 30, 35 and 40 lbs.
- Color: black



WALL BALL

WALLBALL-# (Weight)

- Sizes Available: 4, 6, 8, 10, 12, 15, 18, 20, 25 and 30 lbs.
- 13" Diameter
- Soft shell construction with even weight distribution
- Heavy commercial grade vinyl
- Color: black



STABILITY BALL

ACC-55CM, ACC-65CM, ACC-75CM
 • Available in 55cm, 65cm and 75cm
 • Color: black



MEDICINE BALL

MEDBL-# (Weight)

- Textured for better grip and handling
- Synthetic, weather-resistant rubber surface
- Sizes Available: 4, 6, 8, 10, 12, 15, 18, 20, 25 and 30 lbs.
- Color: varies depending on weight



POWER SLED **NEW**
SLED

- Works as a push, pull, or drag sled
- Can be used both outdoor & indoor on turf
- Includes two knurled poles that can be placed in any four sockets on the sled
- Knurled Double Handle Low Bar Attachment - 1 straight & 1 Bent for less stress on wrists & elbow
- Harness/Rope Hooks on both sides
- Fits Olympic-sized weight plates
- 25"W x 34"H x 24"D (83 lbs)
- Color: black

SLED HARNESS **NEW**
SLED-HARNES

- Fully adjustable, nylon sled harness
- Waist strap is 19.5"L x 1.5"W, secured to the harness with reinforced stitching
- Shoulder straps are 3.25" W with comfort padding
- Lead attachments on front and back for forward and reverse sled pulls
- Includes 7' long nylon lead with (2) carabiners
- Pairs perfectly with TAG SLED
- Color: black



10-BALL MEDICINE BALL RACK
RCK-MBR10

- Designed for 10 Medicine Balls
- 27"W x 56"H x 33"D (32lbs.)
- Color: black



5-BALL MEDICINE BALL RACK
RCK-MBR5

- Designed for 5 Medicine Balls
- 24"W x 56"H x 23"D (20lbs.)
- Color: black



NEW **8-BAG/BALL RACK**
RCK-BAG/BALL8

- Holds Medicine Balls, Power Bags, Bullet Proof Med Balls, Wall Balls and Slam Balls
- Molded plastic feet on bottom to provide stability and protect floor
- 27.5"W x 63H x 38"D (98 lbs)
- Color: black



NEW **4-BAG/BALL RACK**
RCK-BAG/BALL4

- Holds Medicine Balls, Power Bags, Bullet Proof Med Balls, Wall Balls and Slam Balls
- Molded plastic feet on bottom to provide stability and protect floor
- 27.5"W x 63H x 38"D (77 lbs)
- Color: black

HANDLES



DELUXE CHROME HANDLE WITH URETHANE GRIP
ATT-SINGLE



SEATED ROW/CHINNING CHROME HANDLE WITH URETHANE GRIPS
ATT-ROW/TRIANGLE



MULTI-EXERCISE CHROME BAR WITH URETHANE GRIPS
ATT-MULTI



TRICEP EXTENSION CHROME BAR WITH URETHANE GRIPS
ATT-TRICEP



MULTI-PURPOSE CHROME V BAR WITH URETHANE GRIPS
ATT-VBAR



17" CHROME STRAIGHT BAR WITH URETHANE GRIPS
ATT-STRAIGHT17



28" CHROME CURL BAR WITH URETHANE GRIPS
ATT-CURL28



38" CHROME LAT BAR WITH URETHANE GRIPS
ATT-LAT38



48" CHROME LAT BAR WITH URETHANE GRIPS
ATT-LAT48

ACCESSORIES RACK

- RCK-ACR
 • 26"W x 50"H x 26"D (126lbs.)
 • Color: black



24"/36" TRICEP ROPES
ATT-ROPE24
ATT-ROPE36



HAMMER ROPE
ATT-HAMMER

SOFT GRIP HANDLE
ATT-NYLONGRIP



TRX
TRXCLUB4



ANKLE CUFF
ATT-ANKLE

VERTICAL VINYL DUMBBELL RACK

VINYLDB-RACK



- 12 Slots to hold Dumbbells
- Steel construction
- Casters for easy movement
- 51"W x 54"H x 23"D (99lbs.)
- Color: black

VINYL COATED BEAUTYBELLS

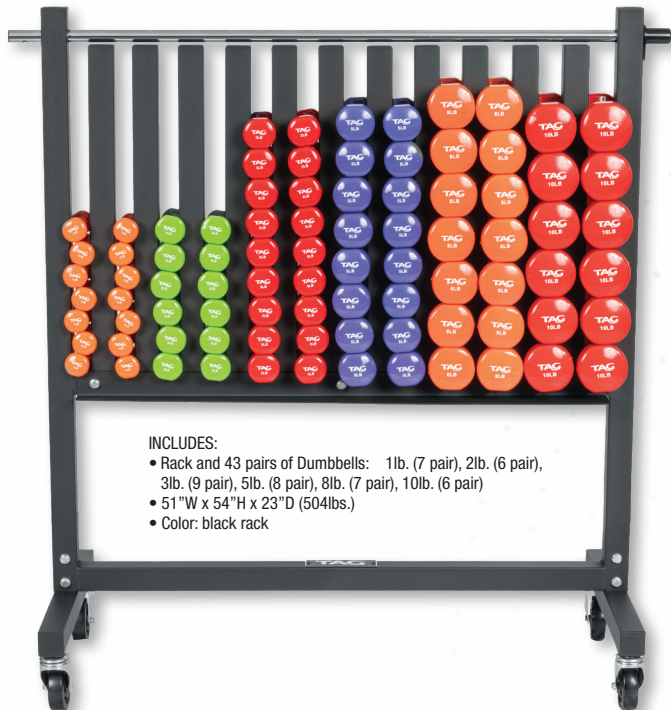
VINYLDB-#



- Contoured handle
- Elite PVC urethane dumbbell head
- Available in 1-10 by 1lb. increments and 12lbs. & 15lbs.

VERTICAL VINYL DUMBBELL KIT

VINYLDB-KIT

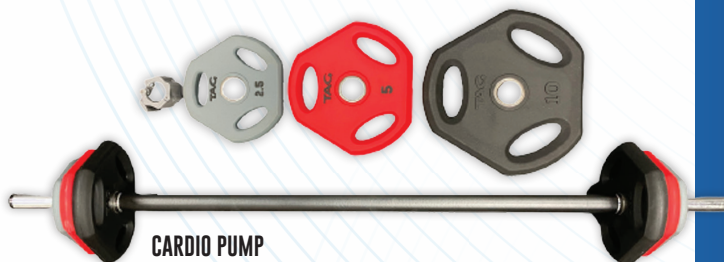


- INCLUDES:**
- Rack and 43 pairs of Dumbbells: 1lb. (7 pair), 2lb. (6 pair), 3lb. (9 pair), 5lb. (8 pair), 8lb. (7 pair), 10lb. (6 pair)
 - 51"W x 54"H x 23"D (504lbs.)
 - Color: black rack

CARDIO PUMP RACK

CP-RCK

- Store up to 20 sets
- 63"W x 54"H x 34"D (120lbs.)
- Color: black



CARDIO PUMP

CP-SET

- Includes 1 pair of 10, 5, 2.5lb Plates; Bar & Quick Clamp Collars

CARDIO PUMP

CP-SET/RACK COMBO



- Cardio Pump Set for 20 users
- Includes 20 pair of 10, 5, 2.5lbs. Plates
- Includes 20 Bar & Quick Clamp Collars
- 63"W x 54"H x 34"D (880lbs.)
- Color: black rack

TAG

FITNESS



FIND US ON:



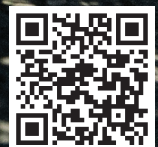
www.tagfitness.net

TAG FITNESS

1270 Nuclear Dr. • West Chicago, IL 60185
www.tagfitness.net • 877.824.4348

For customization data & requests contact:
info@tagfitness.net

©2026 TAG Fitness is a Registered Trademark of TAG Fitness. TAG Fitness believes the specification in this catalog to be correct at the time of printing. However, TAG Fitness reserves the right to make changes in specifications without prior notice.



CLICK THIS QR
TO VIEW ALL
TAG WARRANTY
INFORMATION